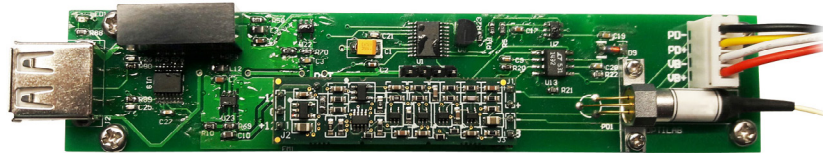


BCB-2



Modulator Bias Control Board, Q+ Only

The Optilab BCB-2 is a compact bias control board designed to maintain the linear operating point of optical intensity modulators. Featuring a compact miniature design for OEM integration, the BCB-2 allows for a stable Quadrature point operation over long operating periods of time. With a USB 2.0 DC power and monitor interface standard, the BCB-2 unit is the ideal choice for industrial and OEM applications when paired with any of Optilab's wide variety of optical modulators, contact Optilab for more information.

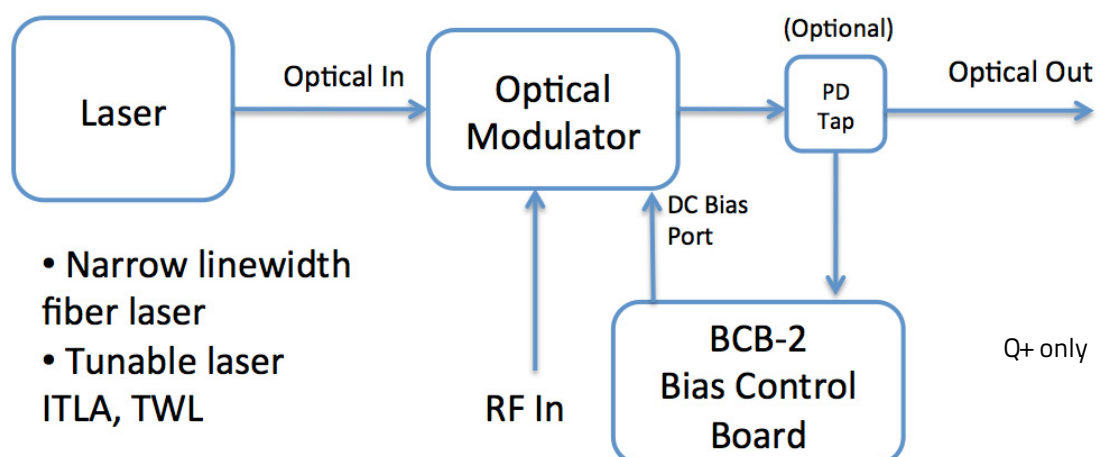
Features

- Dedicated Q+ Bias Setting Mode
- USB 2.0 Interface for Power and Monitoring
- 4-Pin Connector for PD Current In, DC Bias Out
- Compatible with all MZI Optical Modulators
- Optional On-board Photodiode

Applications

- Analog lightwave modulation
- Full Bandwidth RFoF transmission
- RF/IF signal distribution
- Satellite communication
- Optical communications

Functional Diagram



Modulator Bias Control Board, Q+ Only

Ordering Options BCB-2

TECHNICAL INFO

For technical info and support:

sales@optilab.com

www.optilab.com

WEB ORDER

To order, please click below:

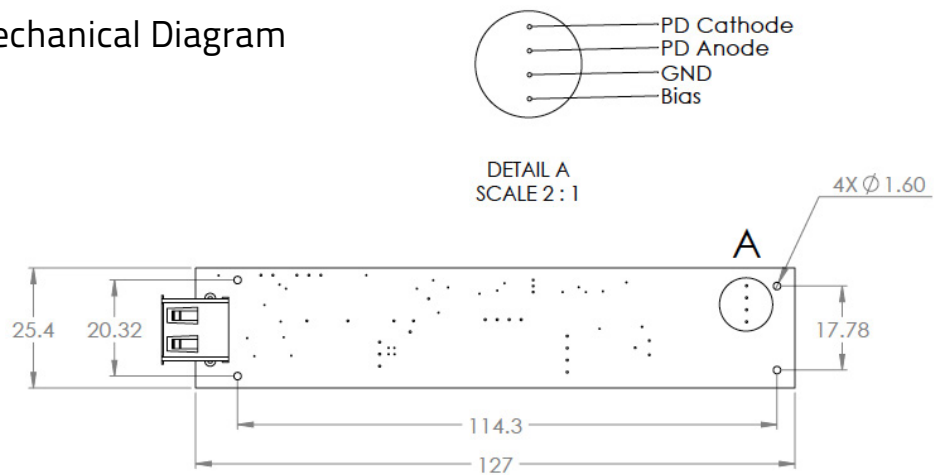


Optilab Advantage

- Innovation
- Performance
- Quality
- Customization
- Warranty

General Specifications	
Modulator Type	Mach zehnder interferometer
Bias Control Principle	Small Signal Dithering
Bias Output Impedance	100 Ω
Bias Output Voltage	$\pm 10V$
Bias Voltage V_{PI}	3-8V
Remote Monitor and Power	USB 2.0
Mechanical Specifications	
Operating Temperature (Standard)	-30 °C to +70 °C
Operating Temperature (Temp. Qual.)	-55 °C to +80 °C
Storage Temperature	-55 °C to +90 °C
Power Supply Requirements	5V, 100mA typ.
Alarm	LED DC Power status
Dimensions	132 mm x 26 mm x 8 mm

Mechanical Diagram



Bias Control Mode

Mode	Operation Conditions	Modulation Format
Q+	Set to quadrature point of positive slope	Analog, NRZ

