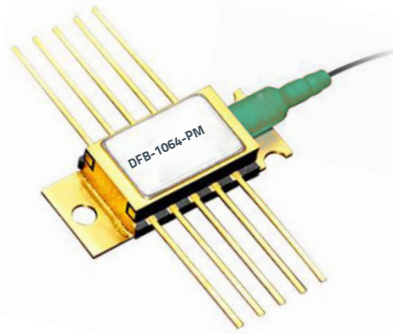


DFB-1064-PM-200-CW



1064 nm DFB Laser Diode, PM Output, 200 mW

The Optilab DFB-1064-PM-200-CW is a Distributed FeedBack Laser designed for Continuous Wave (CW) operation. It is mostly utilized in combination with an external optical modulator, such as a Mach-Zehnder Interferometer (MZI) modulator. It offers a CW power output of 200 mW and the DFB-1064-PM-200-CW laser linewidth is under 500 KHz. Wavelength stabilized high power single mode laser module has been designed as a CW light source for narrow bandwidth fiber laser and direct frequency conversion applications. The DFB-xxxx-PM-200-CW can be ordered with 1030 nm wavelength. Contact Optilab for more information.

Features

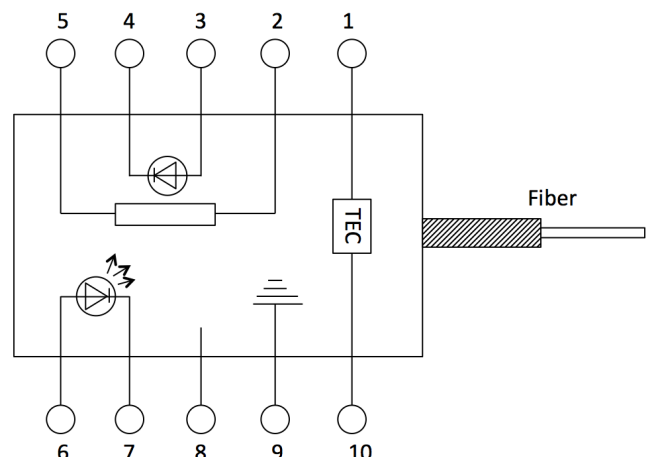
- Center wavelength: 1064 ± 2 nm
- High output CW power: 200 mW
- Narrow line-width, < 500 KHz typ.
- Built in TEC for wavelength tuning

Applications

- LiDAR
- Fiber laser systems
- Free space communications
- Frequency conversion
- Optical spectroscopy

Pin Out Diagram

- | | |
|-------------------|------------------|
| 1 TEC (+) | 6 Laser Anode |
| 2 Thermistor | 7 Lser Cathode |
| 3 Monitor Anode | 8 NC |
| 4 Monitor Cathode | 9 Package Ground |
| 5 Thermistor | 10 TEC (-) |



1064 nm DFB Laser Diode, PM Output, 200 mW

OPTIONS

DFB-xxxx-PM-yy

xxxx: Wavelength in nm
1030
1064
Output Power in mW
yy: 150
200

TECHNICAL INFO

For technical info and support:

sales@optilab.com

www.optilab.com

WEB ORDER

To order, please click below.



Optilab Advantage

- Innovation
- Performance
- Quality
- Customization
- Warranty

General Specifications	
Center Wavelength Range	1064 ± 2 nm typ.
Wavelength Tuning Range	± 1 nm
Operating CW Current	400 mA max.
CW Output Power	200 mW typ., 150 mW min.
Forward Voltage	2 V typ.
Threshold Current	25 mA typ.
Photodiode Dark Current	5 nA max.
Side Mode Suppression	30 dB min.
Linewidth	500 KHz typ.
Polarization Extinction Ratio	20 dB typ.

Mechanical Specifications	
Operating Temperature	-10 °C to +60 °C
Storage Temperature	-40 °C to +85 °C
Operating Humidity	95% @ <30 °C
Optical Fiber Type	PM 980 nm
Optical Connector	FC/APC, others available

Absolute Maximum Ratings	
Reverse Voltage	2 V
Operating Current	500 mA
PD Reverse Voltage	10 V
PD Forward Current	10 mA
TEC Voltage	4 V
TEC Current	2.2 A

1064 nm DFB Laser Diode, PM Output, 200 mW

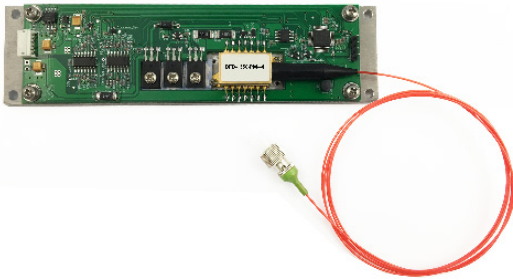
Available Accessories

- Universal Laser Diode Controller (ULDC)



ULDC is a fully integrated laser diode controller with precise current and temperature setting. With a Zero Insertion Force (ZIF) adaptor, ULDC can be used with all 14 pin laser diodes.

- DFB Laser Source Module, Polarization Maintaining (DFB-1064-PM-200-CW)



DFB-1064-PM-200-CW can be ordered as DFB-PM-M, which has DFB laser's operating temperature and output power precisely controlled to ensure constant wavelength and power stability. It can be used for module level integration system.