

25 dB Gain Pre-Amp EDFA Module, C-band

The Optilab EDFA-25P-C-M Pre-Amp EDFA is a high-gain module that is an easy-to-use and cost-efficient solution for photonic subsystems, OEM integration, and fiber optic system integration.

25 dB Gain Pre-Amp EDFA Module, C-band



PRODUCT SPECIFICATIONS

Optical Specifications

Operating Range	1528 nm to 1563 nm
Output Power Levels	+14 dBm @ 0 dBm typ.
Optical Gain	25 dB min. @ -40 dBm input
Noise Figure (NF)	4.5 dB typ., 5.0 dB max.
Optical Return Loss	50 dB min.
Input Optical Isolation	30 dB min.
Output Optical Isolation	30 dB min.
Polar. Mode Dispersion	0.1 ps max.
Polar. Dependent Gain	0.1 dB max.
Input Power Range	-40 dBm to +5 dBm
Output Power Stability	0.15 dB over 8 hours
Input/Output Fiber Type	Corning SMF-28

Product Description

The Optilab EDFA-25P-C-M Pre-Amp EDFA is a high-gain module for amplifying low input level signals that is an easy-to-use and cost-efficient solution for photonic subsystems, OEM integration, and fiber optic system integration. Using a high gain design, this module provides over 25 dB gain with a 4.5 dB noise figure and is designed to amplify signal with a low input level as low as -40 dBm. Software control is standard via an RS-232 port for EDFA monitoring and pump current adjustments. Pump laser protection and alarms are equipped to ensure the reliability and safety of the device. The module requires a single ± 5 Volt DC power supply for operation that comes included with each EDFA-25P-C-M as well as a standard with a three-year warranty.

Features

- High gain of more than 25 dB
- Low noise figure
- Designed for low input level
- RS-232 standard for remote control
- Wide wavelength operation range
- ± 5 V power supply
- 10+ years of operation life

Applications

- OEM integration for
 - DWDM networks
 - HFC/CATV
 - RFoG/FTTH
- Photonic subsystems
- Fiber optic link amplification

Ordering Information

EDFA-25P-C-M



5110 N 44th St, Ste 200L, Phoenix AZ 85018

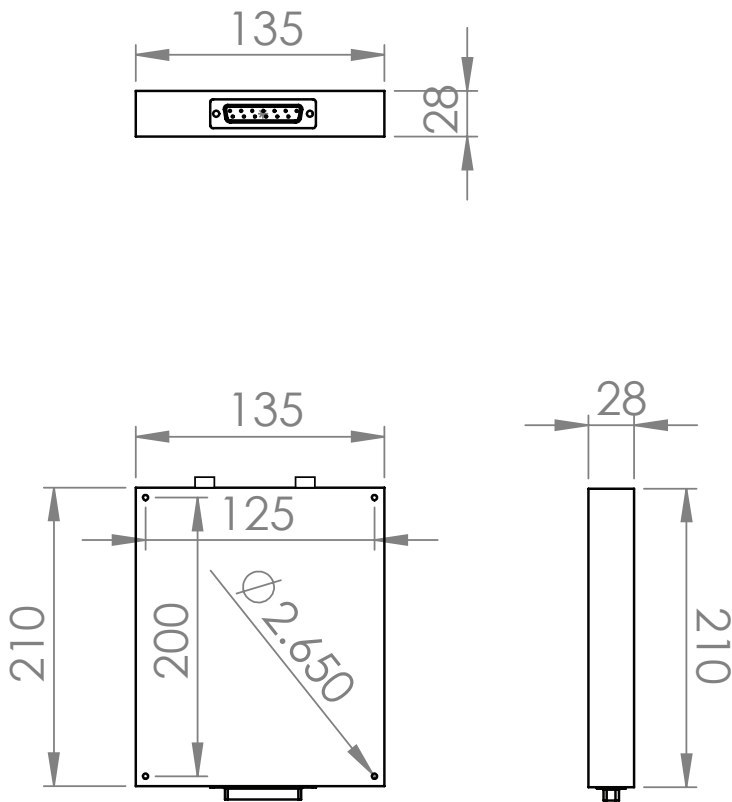
optilab.com 888-553-3888 602-343-8228 sales@optilab.com



To order this product online, visit our site at oequest.com

Product specifications and description are subject to change without notice.
© 2010 Optilab, LLC. January 2010 Rev. A

Mechanical Drawing

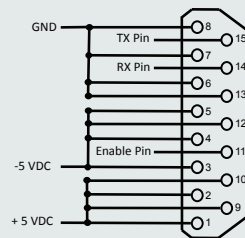


25 dB Gain Pre-Amp EDFA Module, C-band

Mechanical Specifications

Operating Temperature	-10° to +70° C
Power Supply	±5 V DC, 1 A max.
Power Consumption	5 W max.
Fiber Type	SMF-28
Connector Type	FC/APC
Connector (Power & RS-232)	DB-15 Male
Display	LEDs for On/Off, Power
Remote Control	RS-232 for laser control, status monitoring
Dimensions	210 mm x 135 mm x 28 mm
Accessories Included	110 V - 240 V AC Adaptor for ±5 V DC and cable
Housing	Precision Machined Aluminum, Anodized

PIN Out Diagram



DB-15 Connector

Pins 1, 2, 9, 10	+5 V DC
Pins 3, 4, 5, 12	-5 V DC
Pin 6, 7, 8, 13	Ground
Pin 11	Enable, short this pin to Ground to enable optical output power
Pin 14	RX, pin for receiving data via RS-232
Pin 15	TX, pin for transmitting data via RS-232