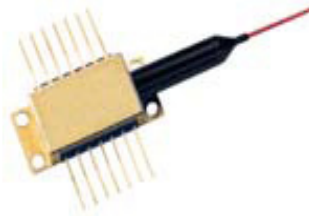


# LD-FP-1310



## 1310 nm Fabry-Perot Laser Diode

The Optilab LD-FP-1310 is a high power fabry-perot (FP) type laser diode at 1310 nm wavelength, designed for laboratory test applications requiring a short coherence laser. A strained multi-quantum well (st-MQW) laser diode chip is integrated with thermo-electric cooler (TEC) and PIN photodiode in a cost-effective hermetically sealed 14-pin butterfly package. The LD-FP-1310 features a temperature sensor (grounded thermistor) and an external optical isolator that is coupled to the single mode optical fiber. Contact Optilab for more information.

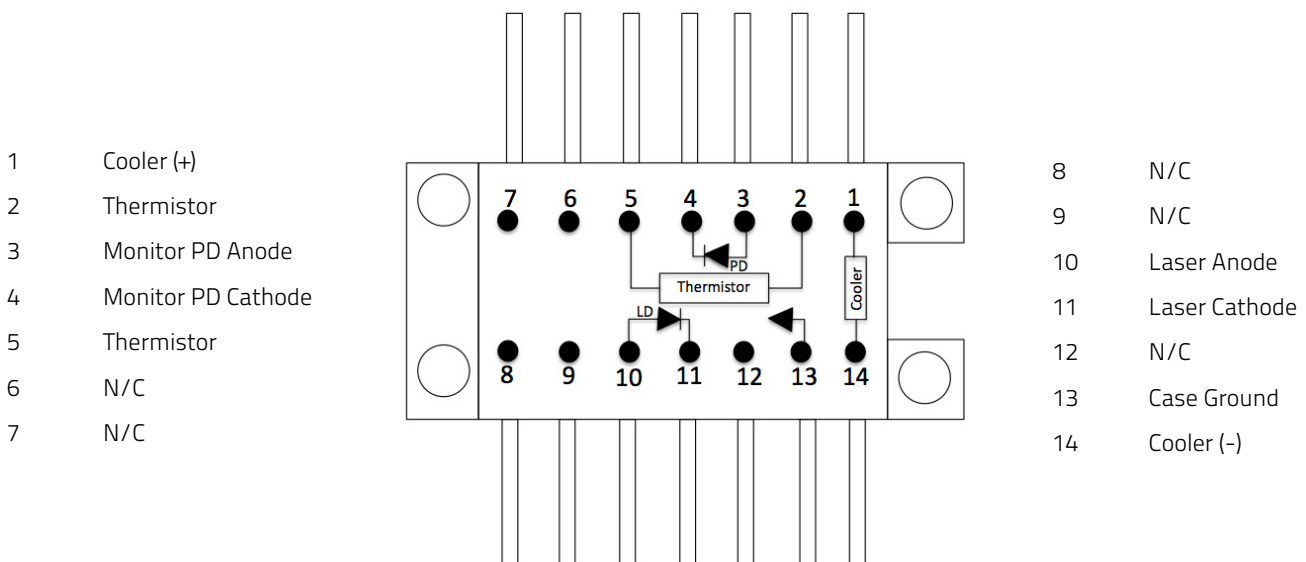
### Features

- 1310 nm Wavelength
- Up to 20 mW Output Power
- 14-pin Butterfly Package
- TEC Cooler + Thermistor
- Built-in PD Monitor
- External Optical Isolator

### Applications

- Laboratory Testing and Measurement
- Telecom Networks
- Seed Laser
- Fiber Sensors

### Functional Diagram



# 1310 nm Fabry-Perot Laser Diode

## OPTIONS

LD-FP-1310

## TECHNICAL INFO

For technical info and support:

[sales@optilab.com](mailto:sales@optilab.com)

[www.optilab.com](http://www.optilab.com)

## WEB ORDER

To order, please visit [OEQuest.com](http://OEQuest.com).



## Optilab Advantage

- Innovation
- Performance
- Quality
- Customization
- Warranty

Technical Specifications	
Laser Type	st-MQW
Center Wavelength	1300 nm -1320 nm
Spectral Bandwidth	5 nm typ.
Fiber Bragg Grating	None
Output Power	12mW @ 100mA typ.
Operation Current	120mA maximum, 100 mA typ.
Modulation Bandwith	2.5 Gb/s
Polarization Extinction Ratio	N/A
TEC Cooled	Yes
Optical Isolator	30dB minimum
Internal Back-Facet Monitor	PIN Diode
Built-in Thermistor	Yes, 10 k $\Omega$ typ.
Mechanical Specifications	
Operating Temperature	-20°C to +60°C
Storage Temperature	-40° C to +80° C
Operating Humidity	0% to 85% Relative Humidity
Package Type	14-pin Butterfly
Optical Connectors	FC/APC, FC/UPC, SC/APC, SC/UPC
Optical Fiber Type	SMF-28, 900 um loose tube

## Mechanical Drawing

