



Compact +12V Power Supply for Photonics Lab

The Optilab PS-12-M is a 12V DC power supply for photonics lab with integrated RS232 and USB communication interface. It is compatible with most Optilab module products requiring 12V DC power, such as lightwave transmitter modules and wavelength tunable laser modules. PS-12-M can transform 85V - 264V wide AC voltage into 12V voltage within less than 2% ripple and output via a DB-15 connector and an extra 4-pin connector as the DC output terminal. The DB-9 or USB connector provides easy communication connection to control the functions of the target module. PS-12-M also can be used as a general 12 VDC power supply for photonics modules.

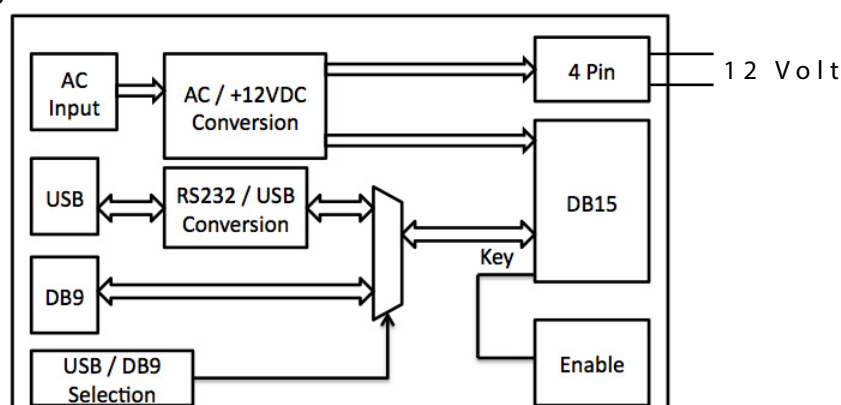
Features

- High conversion efficiency
- Low ripple noise
- >2.1 A current
- Independent +12V DC Output
- Dual interface RS232 and USB
- Switchable communication interface
- Input voltage range 85 to 264 VAC
- High efficiency of >85%
- Space size 1.3" x 4.5" x 6.5"
- Lightweight < 0.5 kg

Applications

- 12V DC power supply for ITLA-x-M, LT Series lightwave transmitter
- General purpose for photonics modules
- Replacing large and low efficiency laboratory power supplies

Functional Diagram



+12V Power Supply Module | PS-12-M

OPTIONS

PS-xx-M

xx: 12 Volt

TECHNICAL INFO

For technical info and support:

sales@optilab.com

www.optilab.com

WEB ORDER

To order, please click below.



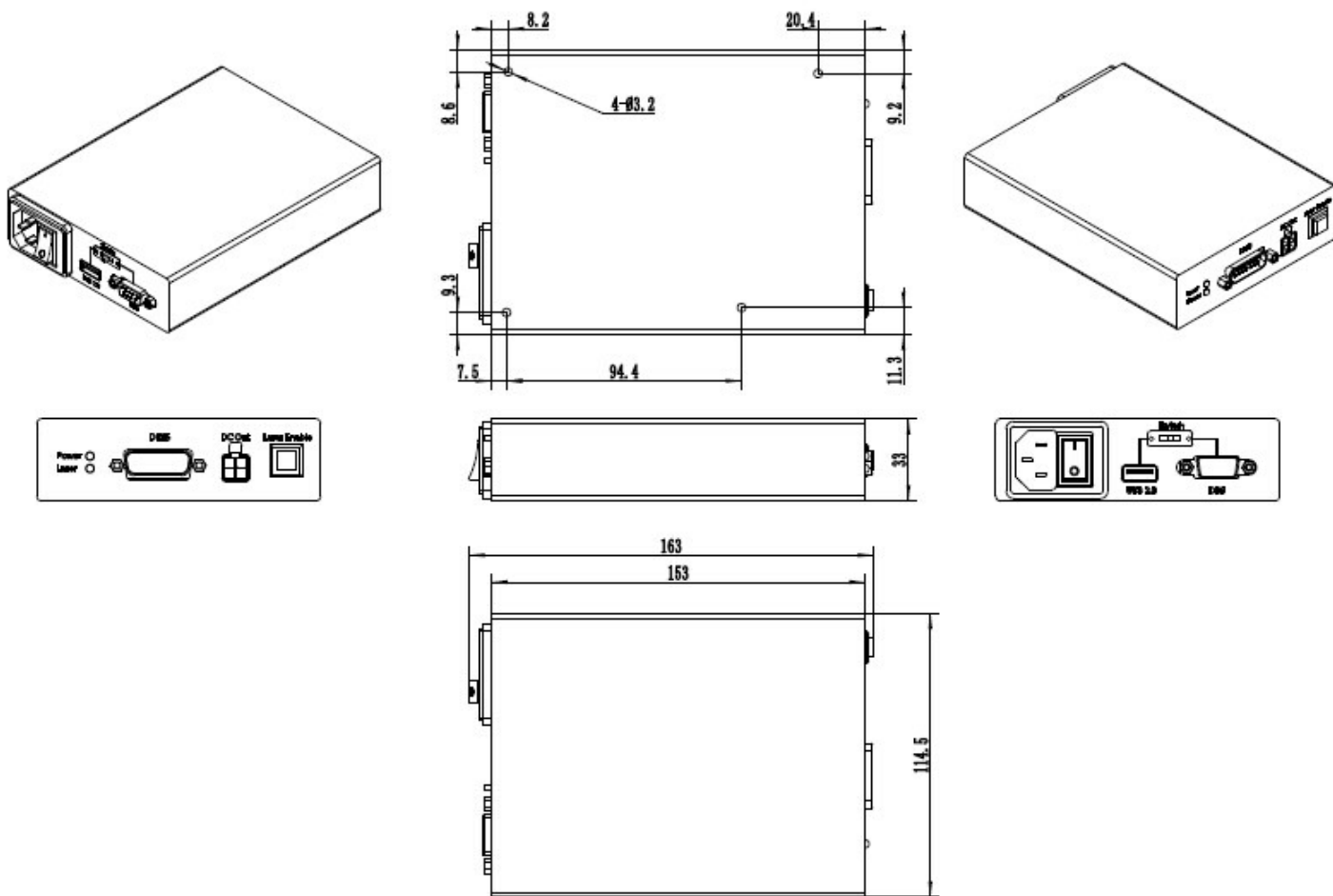
General Specifications	
Parameters	Specifications
Input AC Voltage	85-264 VAC
Input AC Current	≤ 0.5 A
Input AC Frequency	50-60 Hz
Transfer Efficiency	≤85%
DC Output Current	≤2.1 A
DC Output Voltage	+12.0 V ±0.25 Volt
DC Voltage Ripple	≤ 2%
DC Power Output Connectors	DB-15 and 2*2PIN
Communication Connectors	DB-9 and USB 2.0
Mechanical Specifications	
Operate Humidity	≤85%
Operating Temperature	-10 to +70 °C
Storage Temperature	-40 to +85 °C
Dimensions (mm)	153mm x 115mm x 33mm
Dimensions (in)	6" x 4.5" x 1.3"
Weight	0.5 kg

Optilab Advantage

- Innovation
- Performance
- Quality
- Customization
- Warranty

+12V Power Supply Module | PS-12-M

Mechanical Drawing



Electrical PIN OUT

DB-15 female Connector

4 Pin Male Connector

