

PS-5-M



±5V Power Supply

Compact ±5V Power Supply for Photonics Lab

The Optilab PS-5-M is a ±5V DC power supply for photonics lab with integrated RS233 and USB communication interface. It is compatible with most Optilab module products requiring ±5V DC power, such as lightwave transmitter modules and wavelength tunable laser modules. PS-5-M can transform 85V - 264V wide AC voltage into ±5V DC voltage within less than 2% ripple and output via a DB-15 connector and an extra 4-pin connector as the DC output terminal. The DB-9 or USB connector provides easy communication connection to control the functions of the target module. PS-5-M also can be used as a general 5 VDC power supply for photonics modules.

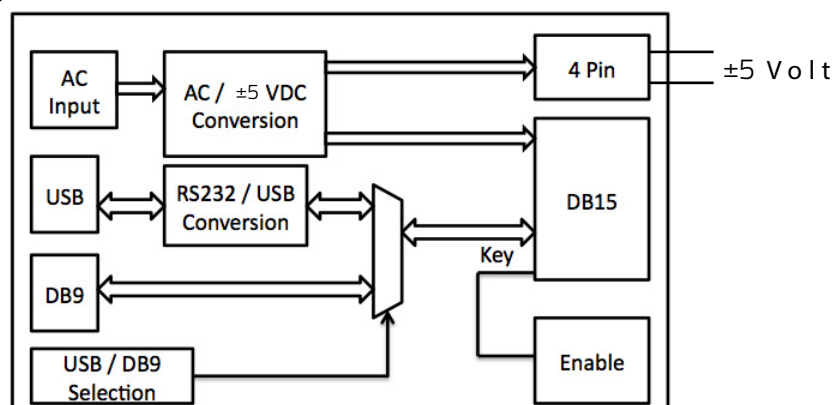
Features

- High conversion efficiency
- Low ripple noise
- Up to 2A current
- Independent ±5V DC Output
- Dual interface RS233 and USB
- Switchable communication interface
- Input voltage range 85 to 264 VAC
- High efficiency of >85%
- Space size 1.3" x 4.5" x 6.5"
- Lightweight < 0.5 kg

Applications

- ±5V DC power supply for EDFA-PA-M and RP-M
- General purpose for photonics modules
- Replacing large and low efficiency laboratory power supplies

Functional Diagram



±5V Power Supply Module | PS-5-M

OPTIONS

PS-xx-M

xx: ±5 Volt

TECHNICAL INFO

For technical info and support:

sales@optilab.com

www.optilab.com

WEB ORDER

To order, please click .

 **OEQuest.com**

General Specifications	
Parameters	Specifications
Input AC Voltage	85-264 VAC
Input AC Current	≤ 0.5 A
Input AC Frequency	50-60 Hz
Transfer Efficiency	≤85%
DC Output Current	≤2.1 A
DC Output Voltage	±5.0 V ±0.25 Volt
DC Voltage Ripple	≤ 2%
DC Power Output Connectors	DB-15 and 2*2PIN
Communication Connectors	DB-9 and USB 2.0
Mechanical Specifications	
Operate Humidity	≤85%
Operating Temperature	-10 to +70 °C
Storage Temperature	-40 to +85 °C
Dimensions (mm)	153mm x 115mm x 33mm
Dimensions (in)	6" x 4.5" x 1.3"
Weight	0.5 kg

Optilab Advantage

- Innovation
- Performance
- Quality
- Customization
- Warranty

±5V Power Supply Module | PS-5-M

Mechanical Drawing

