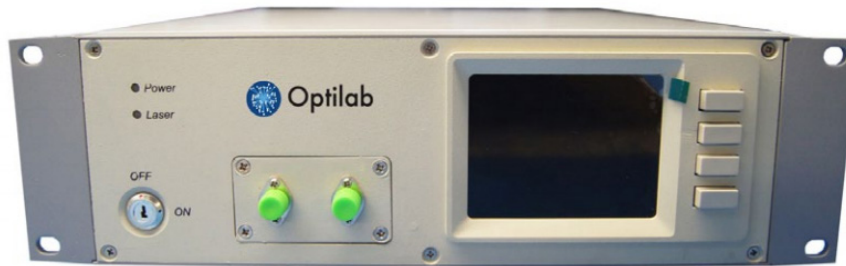


VOA-B



Programmable Benchtop Variable Optical Attenuator

The Optilab VOA-B series is a programmable benchtop variable optical attenuator, ideal for general lab testing and various applications such as EDFA amplifier qualification, DWDM system characterization, and loss simulation. The VOA-B has a nominal resolution of 0.1 dB and attenuation range of 30 dB, with the front panel providing an intuitive setting of the desired attenuation value. The large screen LCD displays the input and output power as well as the attenuation level, with the built-in RS232 port allowing for remote control and monitoring. The VOA-B is available in single mode (SM) and polarization maintaining (PM) versions, for increased flexibility and utility, contact Optilab for more information.

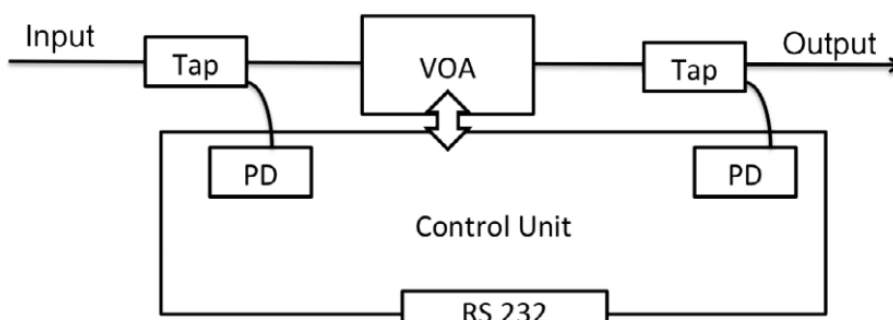
Features

- 30 dB Range
- 0.1 dB Resolution
- ± 0.1 dB Repeatability
- Accuracy of ± 0.2 dB
- RS232 Remote Interface
- Single-Mode or Polarization Maintaining

Applications

- Precise Optical Power Control
- Power Meter Linearity Calibration
- Analog Transmission Tests
- Bit Error Rate Tests
- Loss Simulation in Fiber Optic Links
- EDFA Output Power Characterization

Functional Diagram



Programmable Benchtop Variable Optical Attenuator

OPTIONS

VOA-B-xx-yy

- xx PM=Polarization Maintaining Mode
- yy FC or SC connectors

TECHNICAL INFO

For technical info and support:

sales@optilab.com

www.optilab.com

WEB ORDER

To order, please click below.



Optilab Advantage

- Innovation
- Performance
- Quality
- Customization
- Warranty

Optical Specifications	
Operating Wavelength Range	1200 -1700 nm
Attenuation Range	30 dB
Resolution	0.1 dB
Repeatability	± 0.1 dB
Change Rate	< 3s
Accuracy	± 0.2 dB
Minimum Attenuation	SM: 2.3 dB typ. PM: 5.0 dB typ.
Remote Communication	RS 232, DB9 Connector
Maximum Optical Input Power	500 mW
Wavelength Dependent Loss Variation (1520 to 1570 nm)	± 0.1 dB
Polarization Dependent Loss	0.1 dB typ.
Optical Connectors	FC/APC or SC/APC
Input voltage	100-240 V AC, 50-60 Hz
Dimensions (W x H x D)	280 x 90 x 340 mm
Weight	9 lbs
Operating Temperature	0° C to +40° C
Temperature Storage	-40° C to +65° C
Humidity	85 % up to 40 °C

VOA Attenuation Accuracy

