

nTRVR-D



Dual-Fiber Mini-Node

The Optilab nTRVR-D is a dual-fiber outdoor optical mini-node designed for deep fiber implementation in HFC networks. With standard HFC configuration of forward-path receiver and return-path transmitter, the nTRVR-D can provide the HD video and QAM data bandwidth capacity of a traditional HFC optical node, but at a fraction of the cost. This compact, versatile mini-node is the most cost-effective deep fiber solution for delivering Switch Digital Broadcasting (SDB), as well as high-speed QAM data services over existing HFC infrastructure. Contact Optilab for more information.

Features

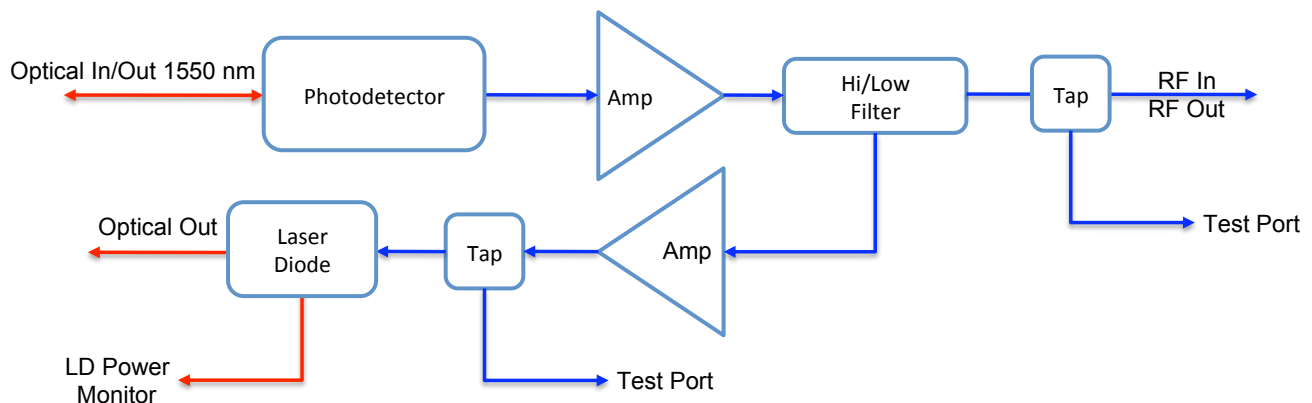
- 1550 nm forward-path receiver
- Return-path 1310 nm laser
- Dual-fiber optical input and output
- Compatible with existing HFC installation
- Low power consumption, compact and durable
- 12 VDC power adaptor included
- Forward- and return-path RF test ports
- **3 year warranty standard**

Applications

- HFC
- RFoG
- PON
- Deep Fiber Applications
- Optilab is RUS/USDA accepted



Functional Diagram



Dual-Fiber Mini-Node | nTRVR-D

OPTIONS

nTRVR-D

TECHNICAL INFO

For technical info and support:

sales@optilab.com

www.optilab.com

WEB ORDER

To order, please visit OEQuest.com.



Optilab Advantage

- Innovation
- Performance
- Quality
- Customization
- Warranty

Optical Specifications - Forward Path (Receiver)	
Receiver Wavelength Range	1530 nm - 1600 nm
Input Optical Power	+3 dBm to -6 dBm
RF Output Power Level	25 dBmV typ.
Carrier to Noise Ratio (CNR)	50+ dB typ. @ 0 dBm Input Level
Composite Second Order (CSO) Distortion	-63 dBc max.
Composite Triple Beat (CTB) Distortion	-63 dBc max.
Frequency Range	54 MHz to 870 MHz, 1 GHz available
Optical Specifications - Return Path (Transmitter)	
Transmitter Wavelength	1310 nm ± 20 nm
Output Optical Power Level	+3 dBm to -3 dBm
General Specifications	
Flatness in Frequency Range	±0.5 dB
Optical Return Loss	45 dB min.
RF Impedance	75 Ω
RF Return Loss	16 dB min.
Mechanical Specifications	
Optical Connectors	2, SC/APC
Temperature Range	-20°C to +65°C
Power Supply	12 – 15 VDC 80 – 240 V, 43 – 63 Hz AC (AC adaptor)
Power Consumption	5 W max.
Housing Dimensions	7.5"(W) x 6"(L) x 4"(H)
Control / Monitoring	Voltage Monitoring: Optical Level 1V/mW
Display	3 LEDs: Optical Input/Output and Power