



US006583901B1

(12) **United States Patent**
Hung

(10) **Patent No.:** **US 6,583,901 B1**
(45) **Date of Patent:** ***Jun. 24, 2003**

(54) **OPTICAL COMMUNICATIONS SYSTEM WITH DYNAMIC CHANNEL ALLOCATION**

(76) Inventor: **Henry Hung**, 4701 E. Marston Dr., Paradise Valley, AZ (US) 85253

(*) Notice: Subject to any disclaimer, the term of this patent is extended or adjusted under 35 U.S.C. 154(b) by 0 days.

This patent is subject to a terminal disclaimer.

(21) Appl. No.: **09/511,053**

(22) Filed: **Feb. 23, 2000**

(51) **Int. Cl.**⁷ **H04J 14/02**; H04J 14/08; H04B 10/20; H04B 10/04

(52) **U.S. Cl.** **359/124**; 359/118; 359/119; 359/125; 359/127; 359/137; 359/183

(58) **Field of Search** 359/124, 125, 359/118, 119, 120, 121, 137, 127; 372/21, 22, 29.023

(56) **References Cited**

U.S. PATENT DOCUMENTS

5,202,782 A 4/1993 Nakamura et al. 359/152

5,301,052 A	*	4/1994	Audouin et al.	359/124
5,319,485 A	*	6/1994	Yasui et al.	359/128
5,479,287 A	*	12/1995	Johansen et al.	359/128
5,566,381 A	*	10/1996	Korotky	359/183
5,930,014 A	*	7/1999	Yamamoto	359/118
5,953,139 A	*	9/1999	Nemecek et al.	359/124
5,991,316 A	*	11/1999	Kikuchi	372/21
5,999,288 A	*	12/1999	Ellinas et al.	359/119

* cited by examiner

Primary Examiner—Leslie Pascal

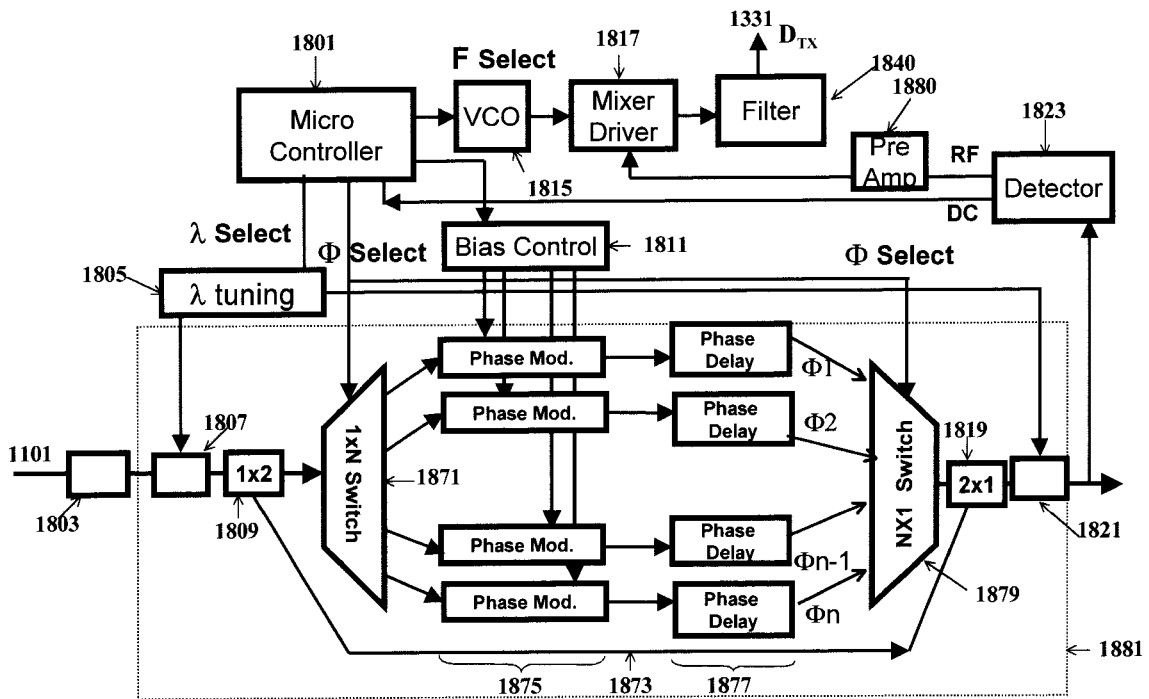
Assistant Examiner—M. R. Sedighian

(74) *Attorney, Agent, or Firm*—Alexander B. Ching; Squire, Sanders & Dempsey, L.L.P.

(57) **ABSTRACT**

Optical communication system apparatus and methods of operating an optical communications system is described. The system advantageously may utilize existing optical fiber networks and provide significantly increased channel capacity. In accordance with one aspect of the invention the system apparatus provides for a plurality of communications channels and a processor unit receives requests for allocation of one or more channels from a node coupled to the optical communications system. The system apparatus dynamically allocates one or more channels selected from unused channels.

71 Claims, 25 Drawing Sheets



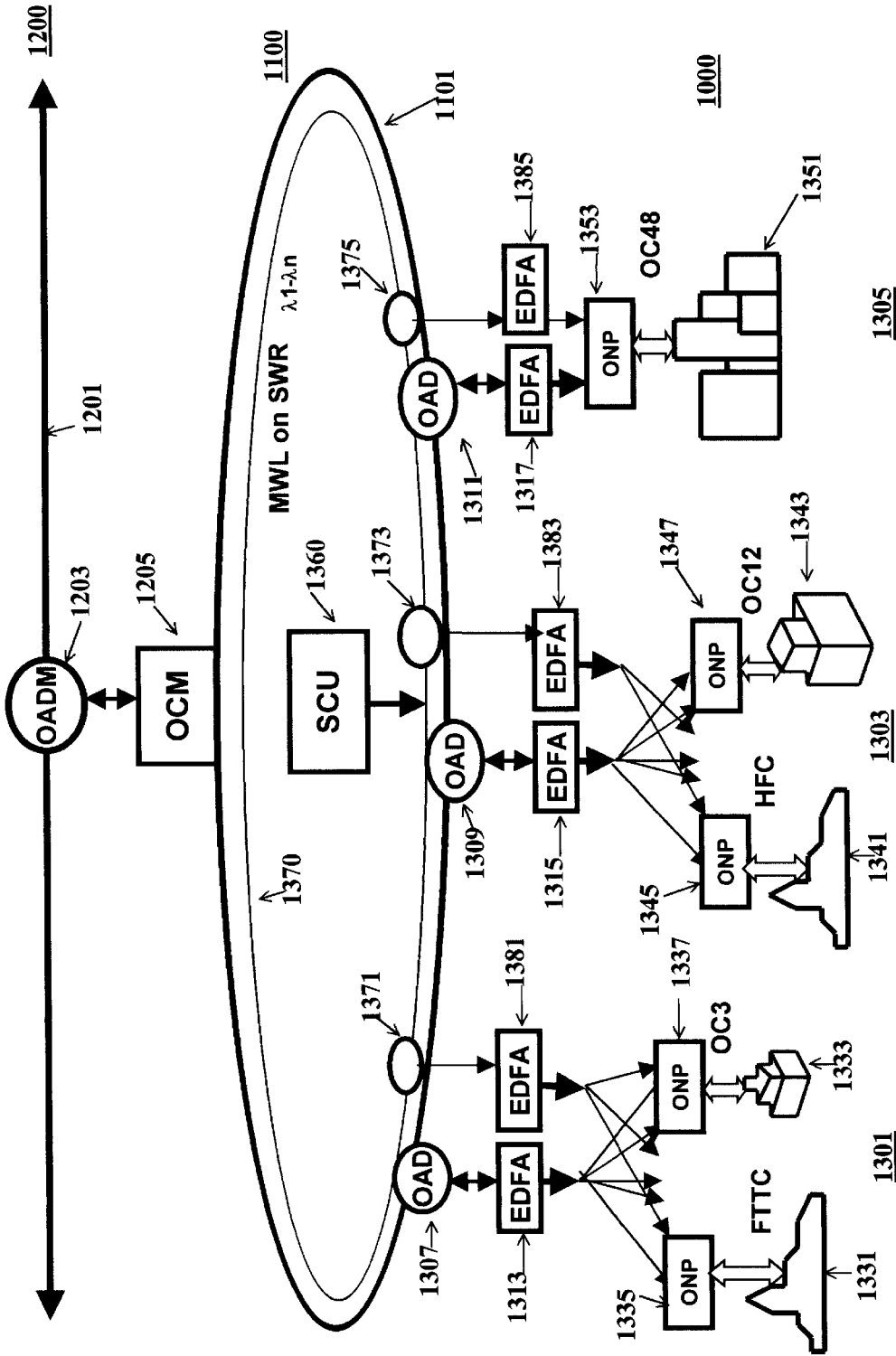


FIG. 1

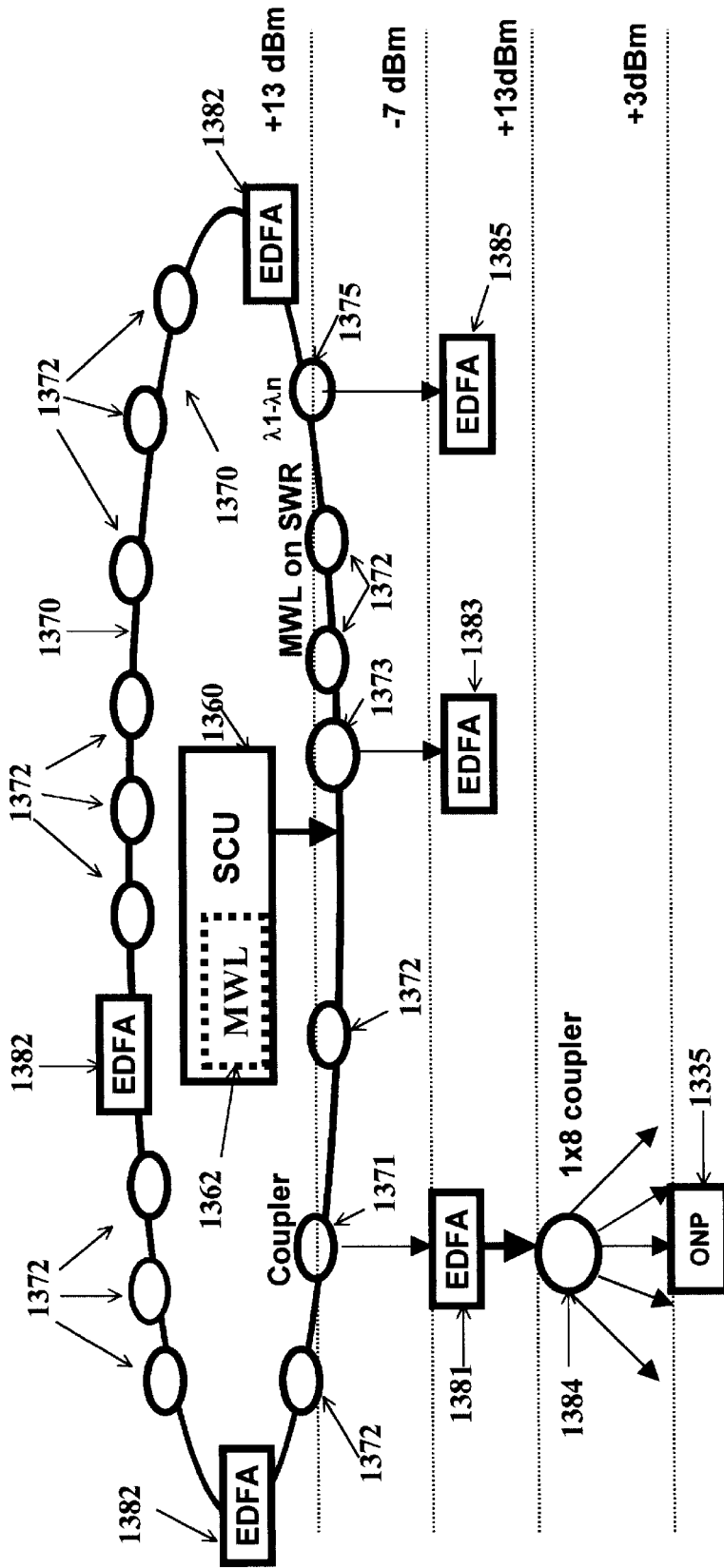


FIG. 2

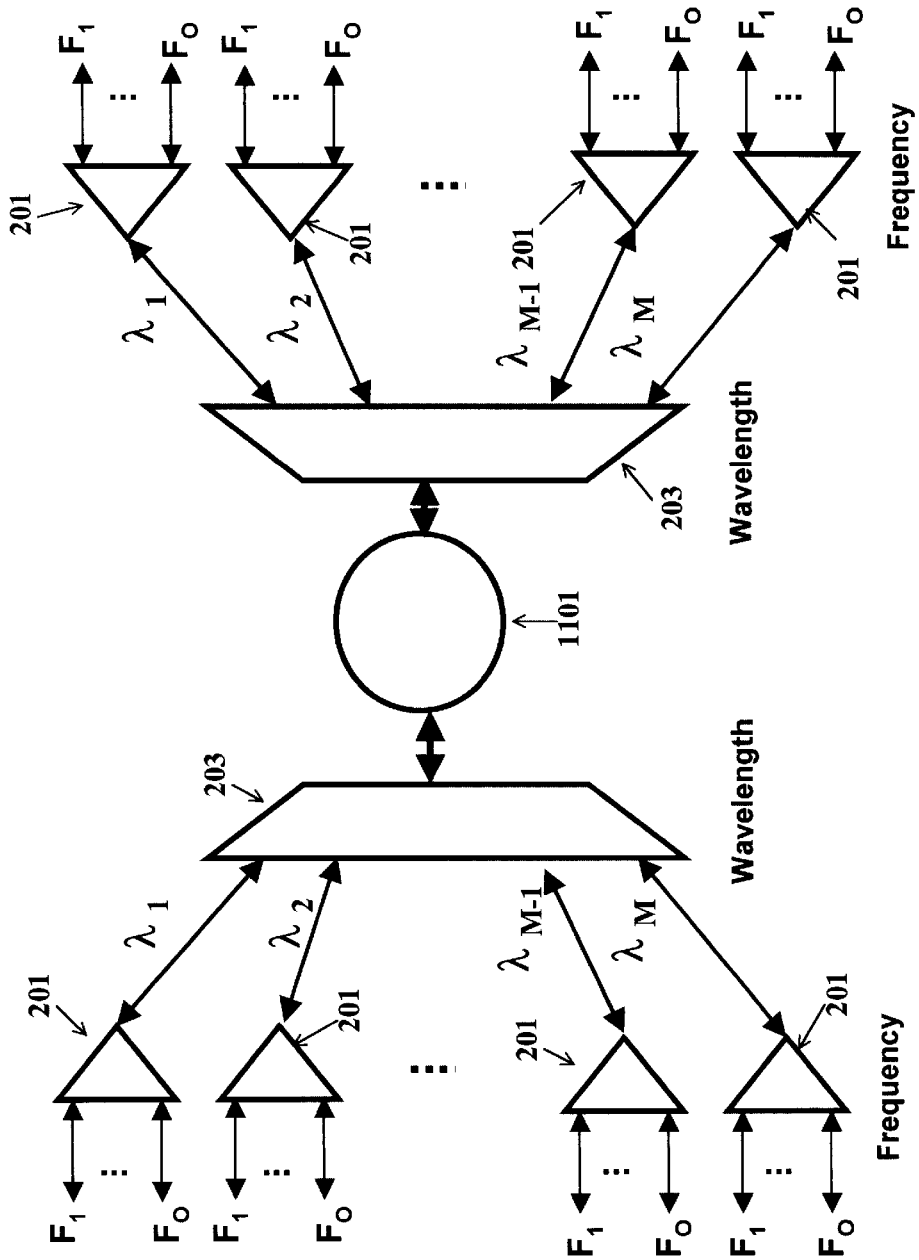


FIG. 3

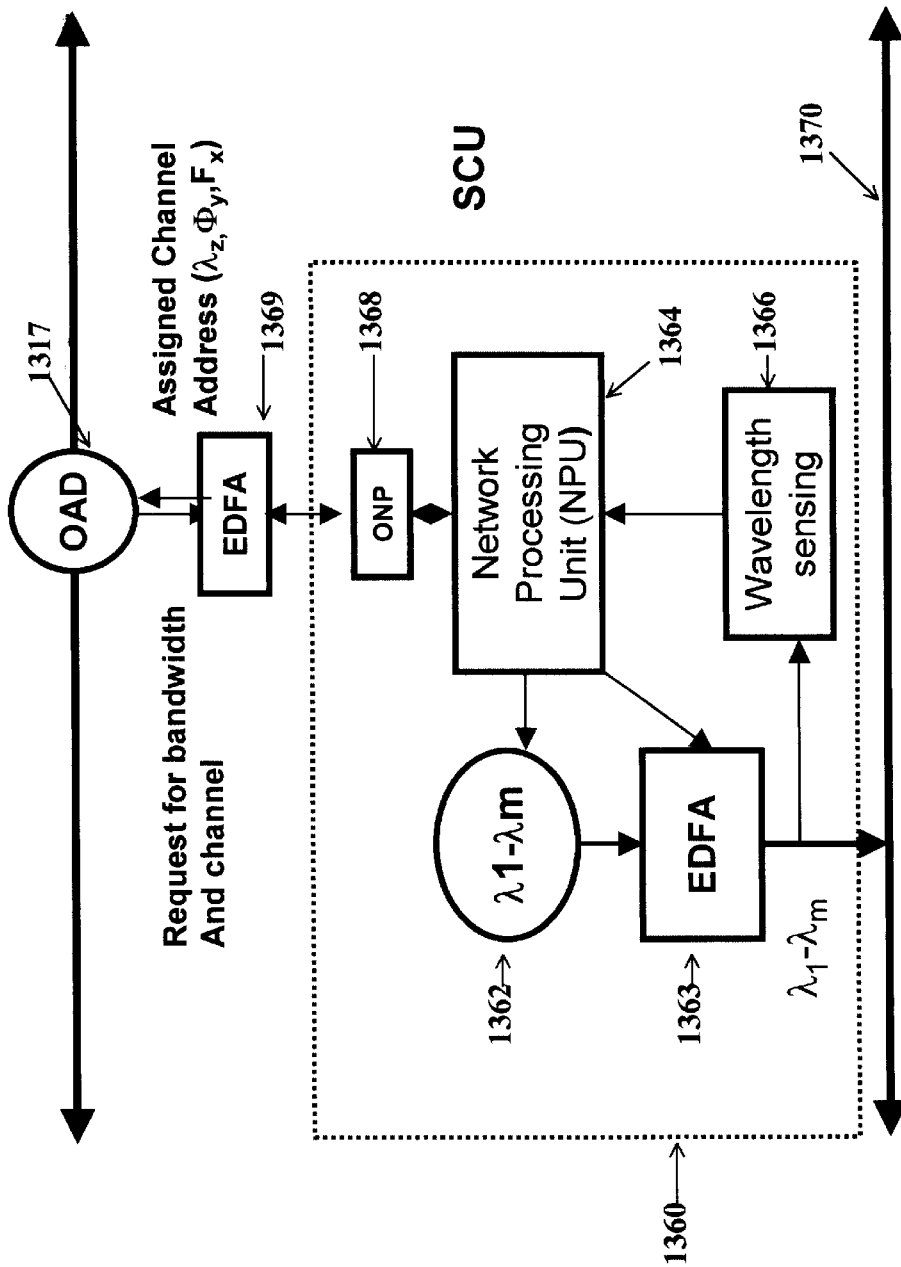


FIG. 4

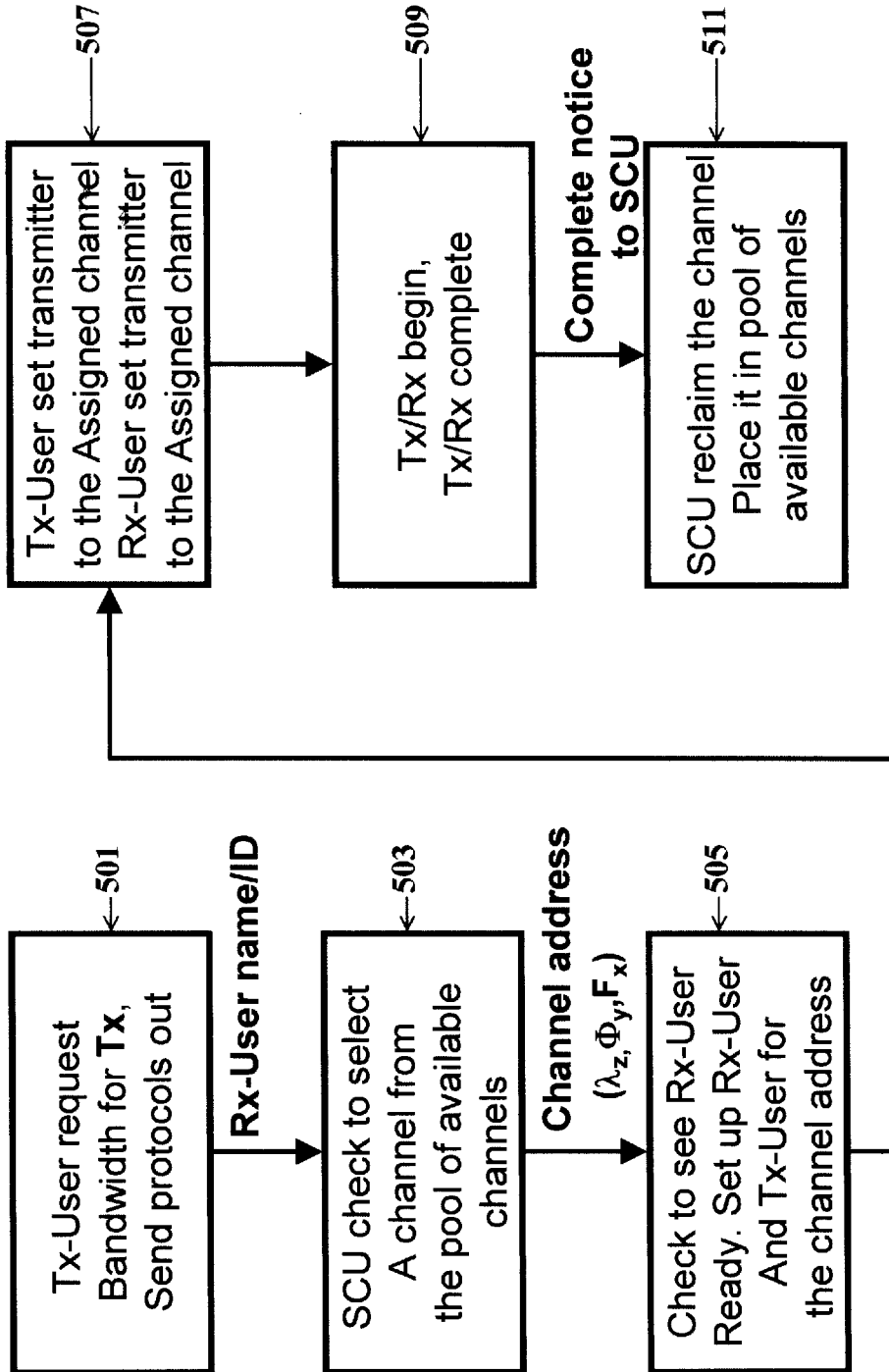


FIG. 5

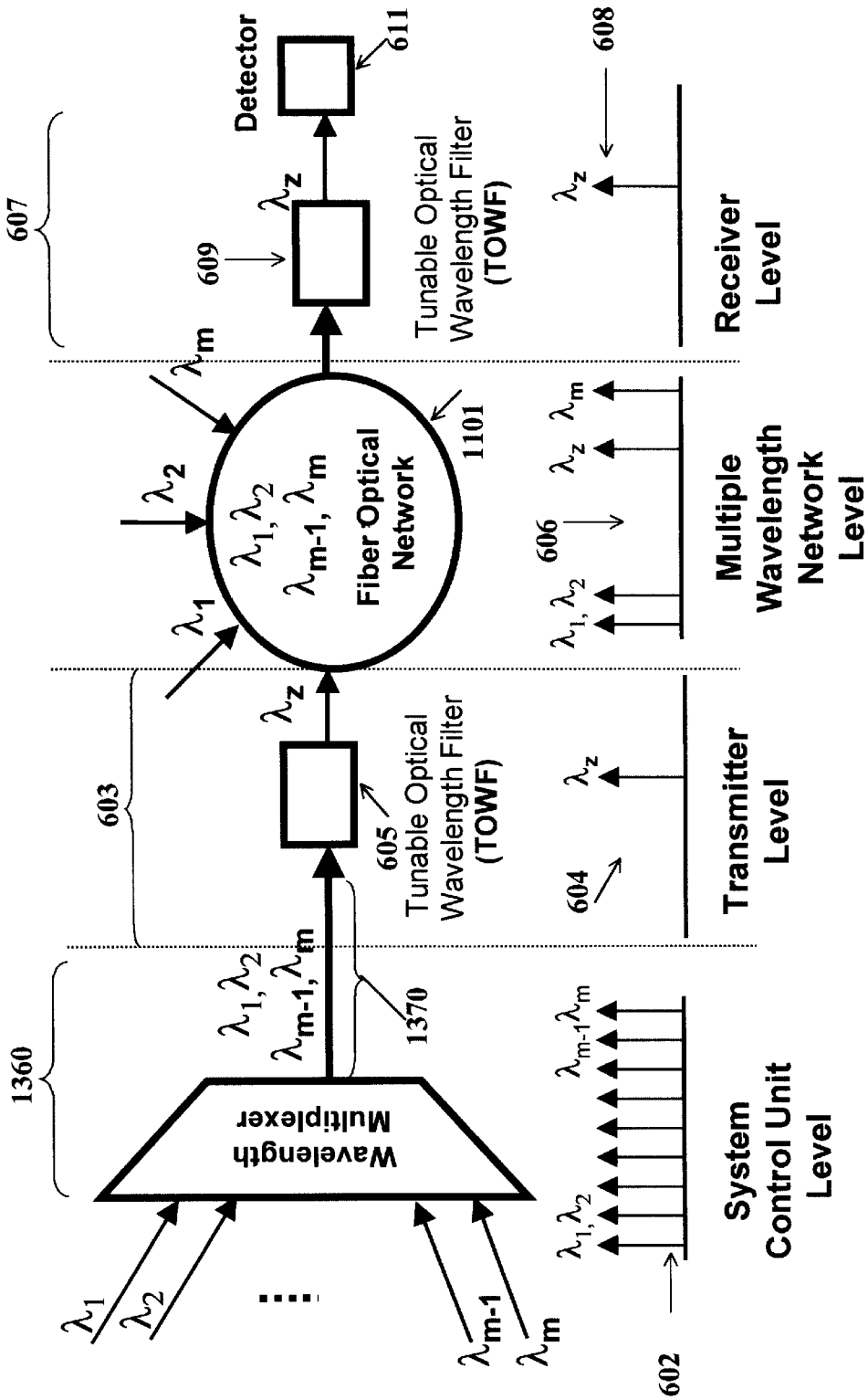


FIG. 6

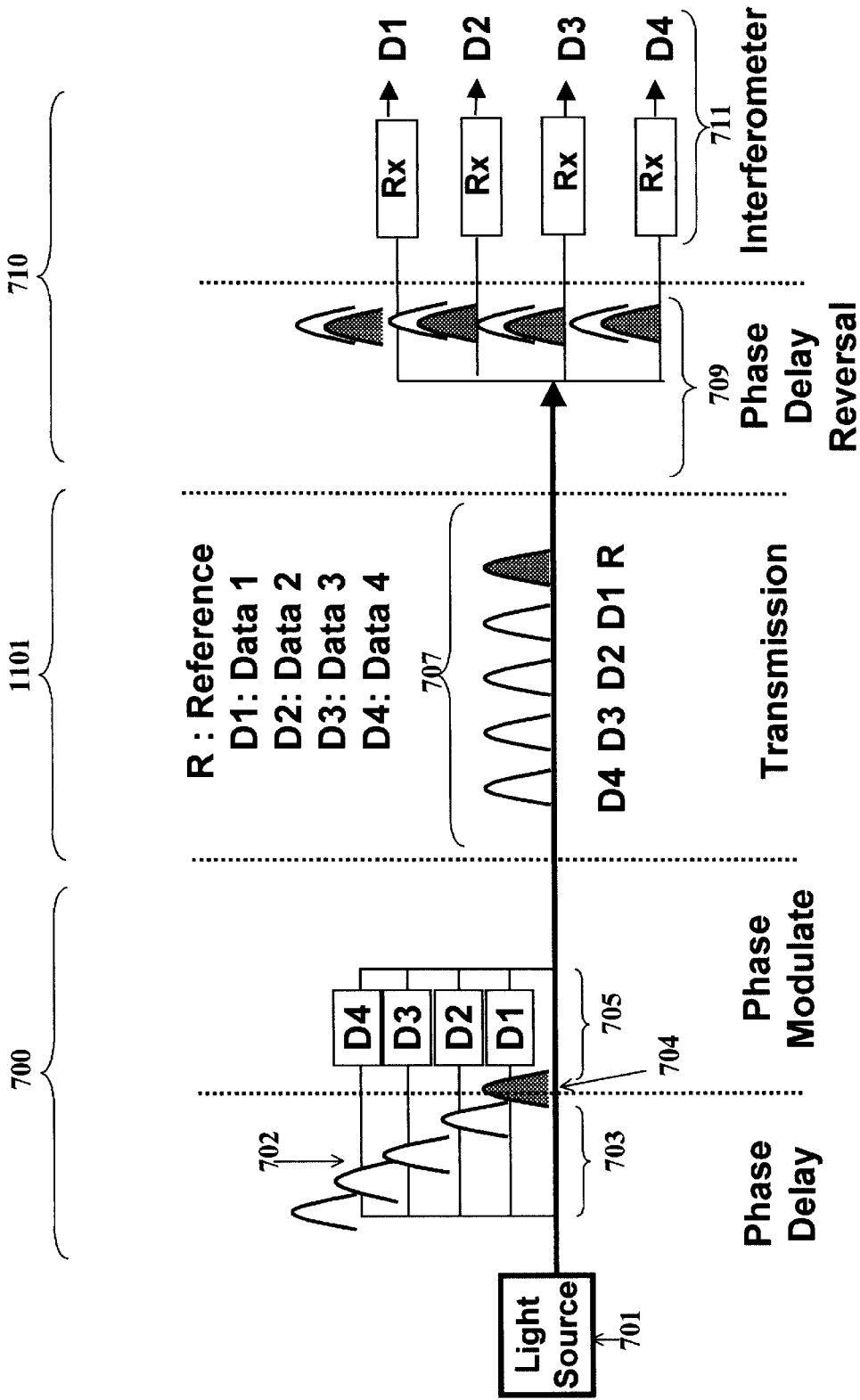


FIG. 7

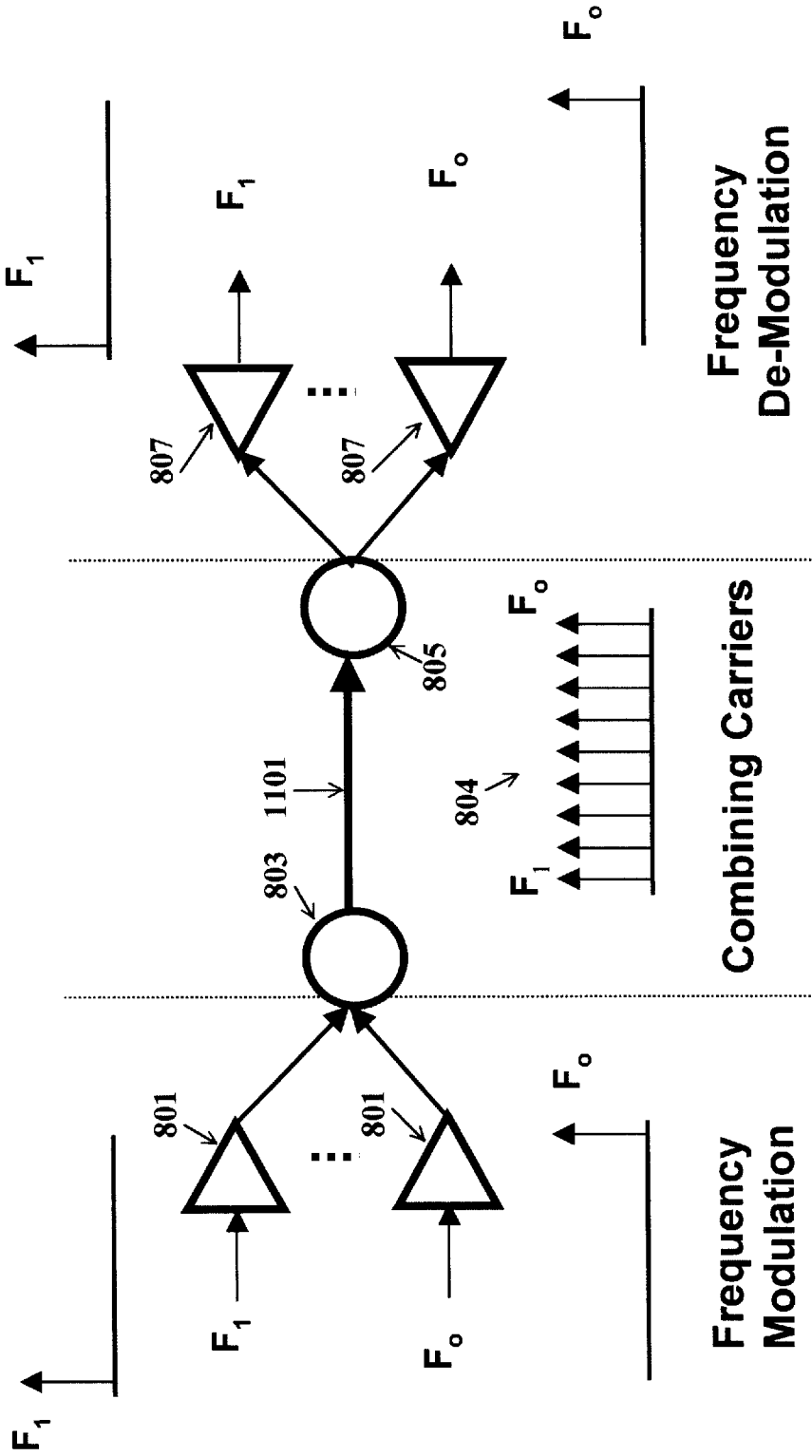


FIG. 8

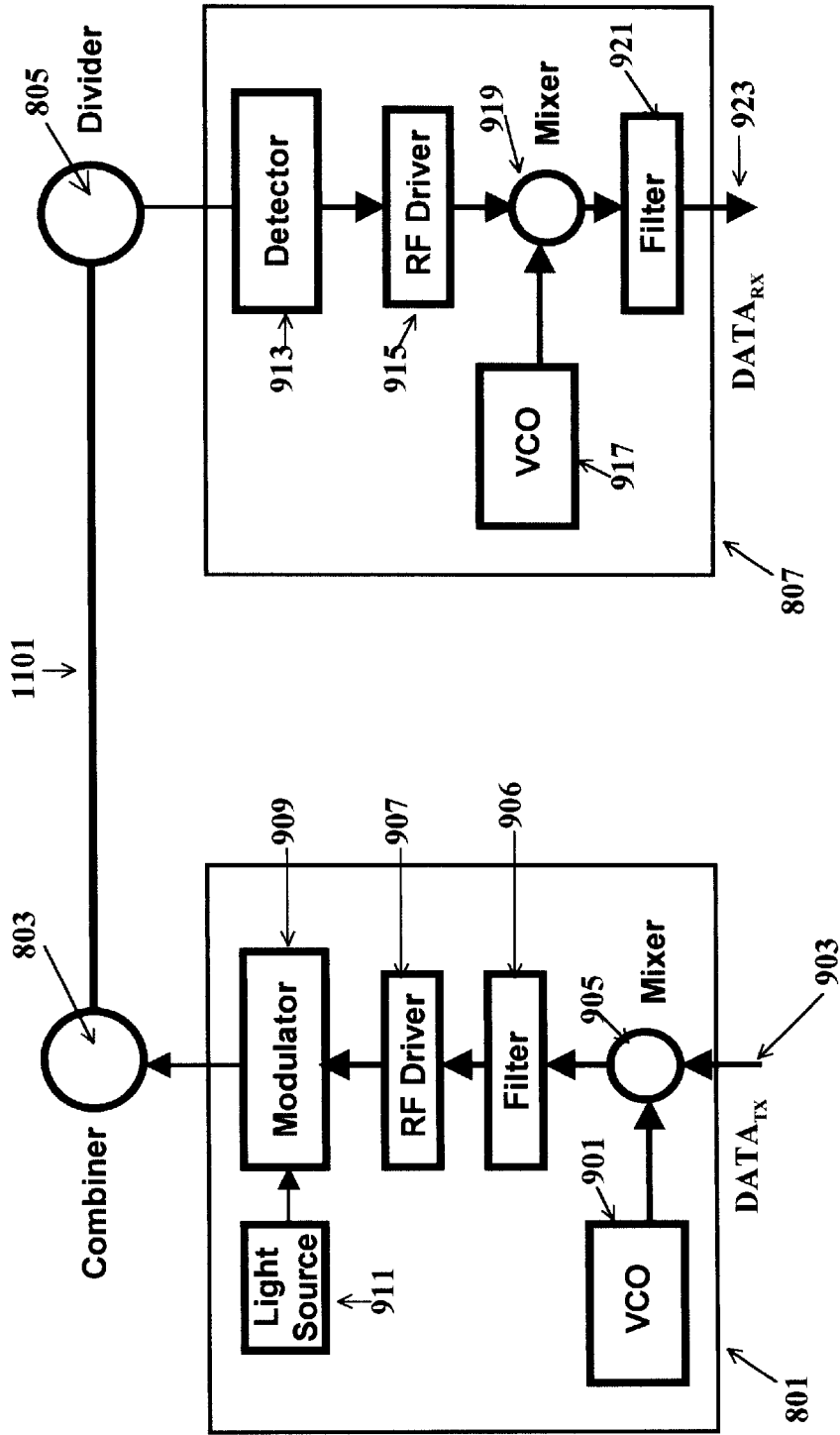


FIG. 9

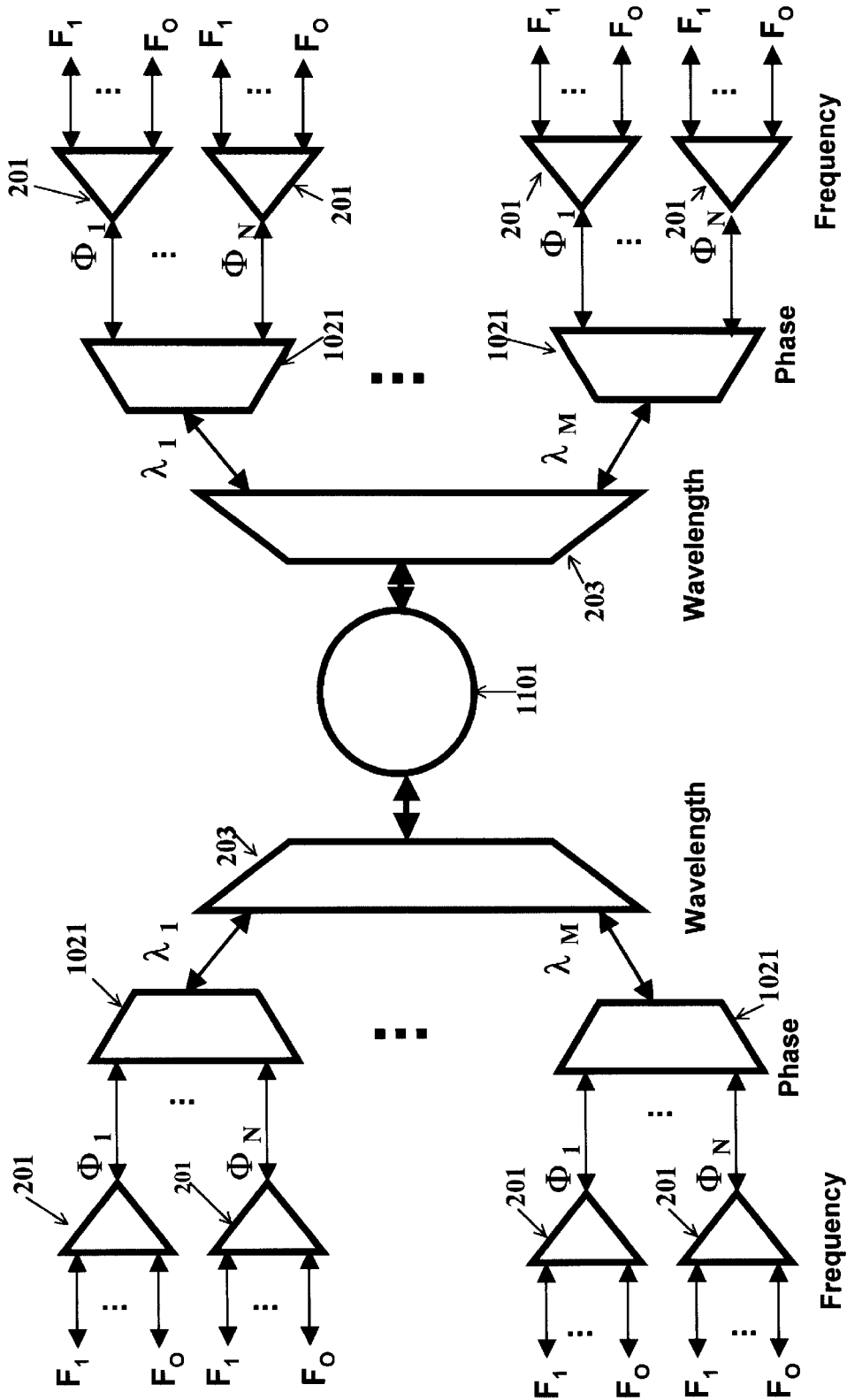


FIG. 10

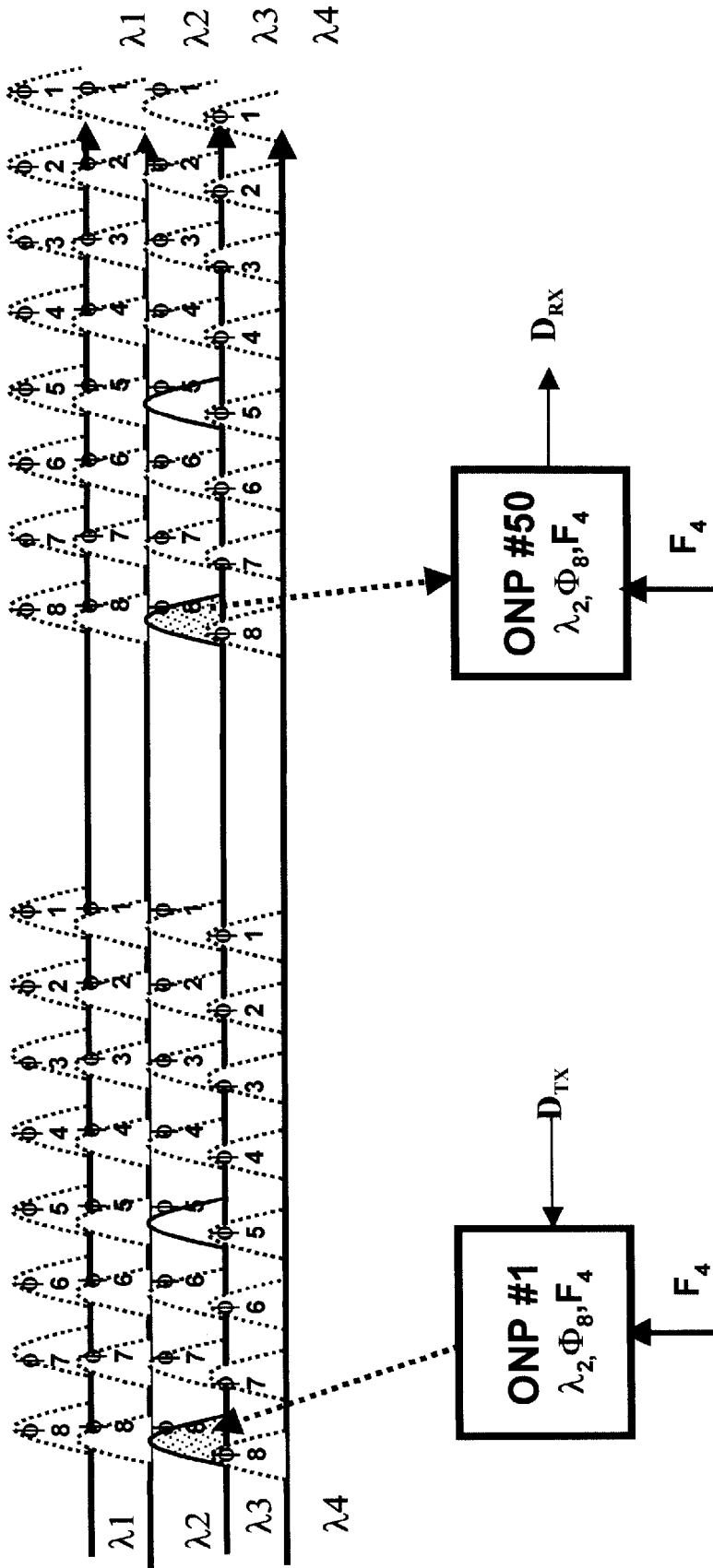


FIG. 11

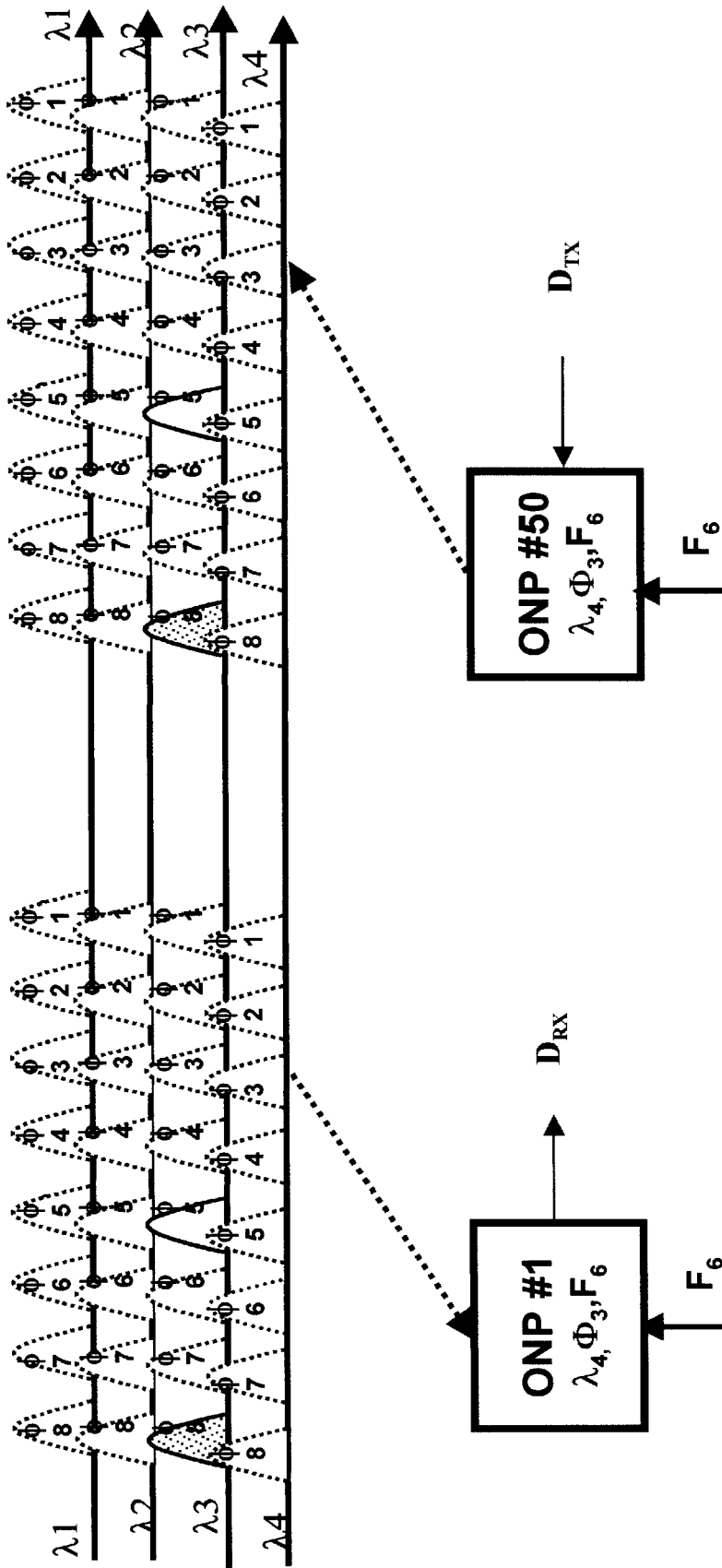


FIG. 12

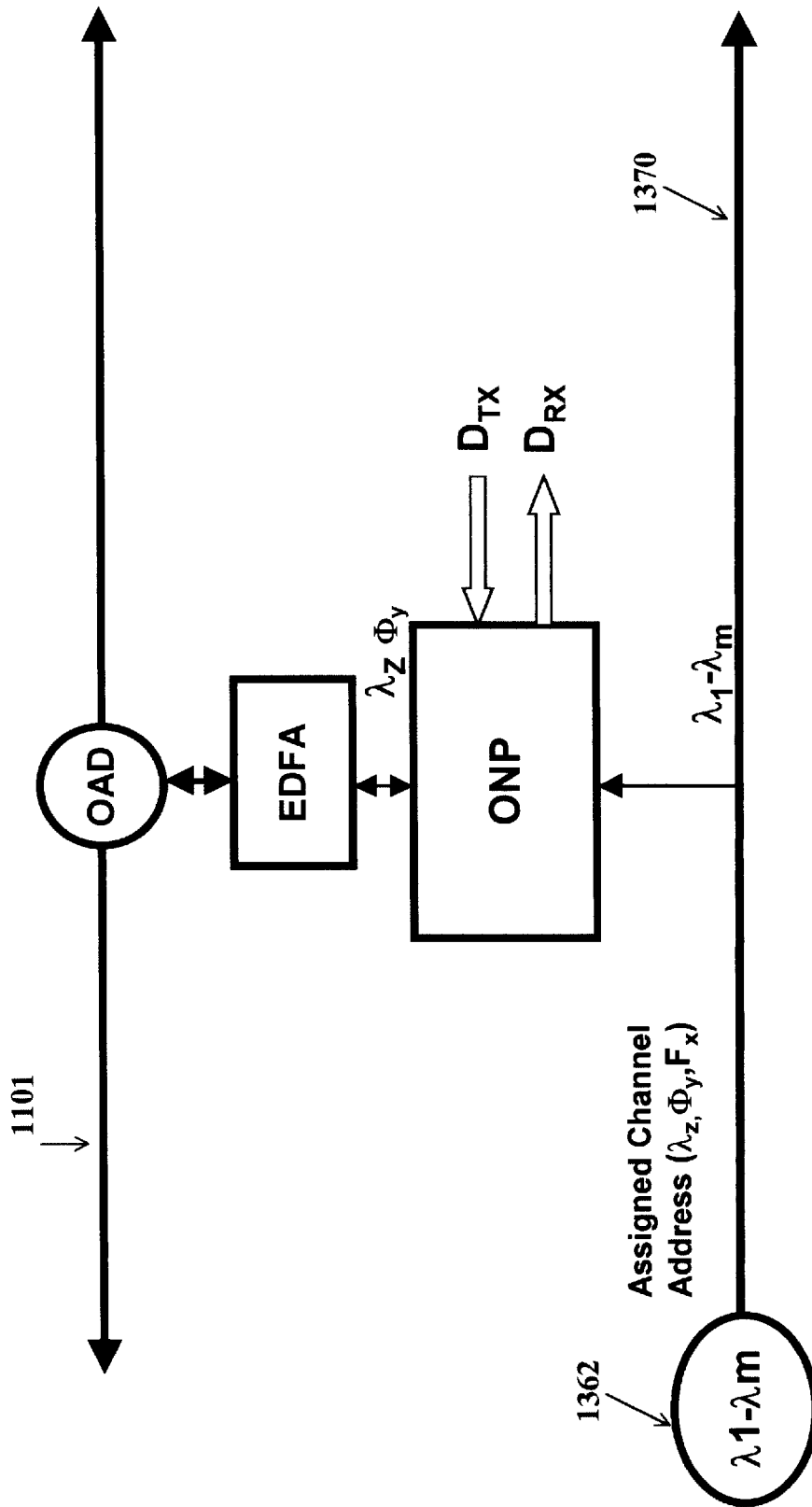


FIG. 13

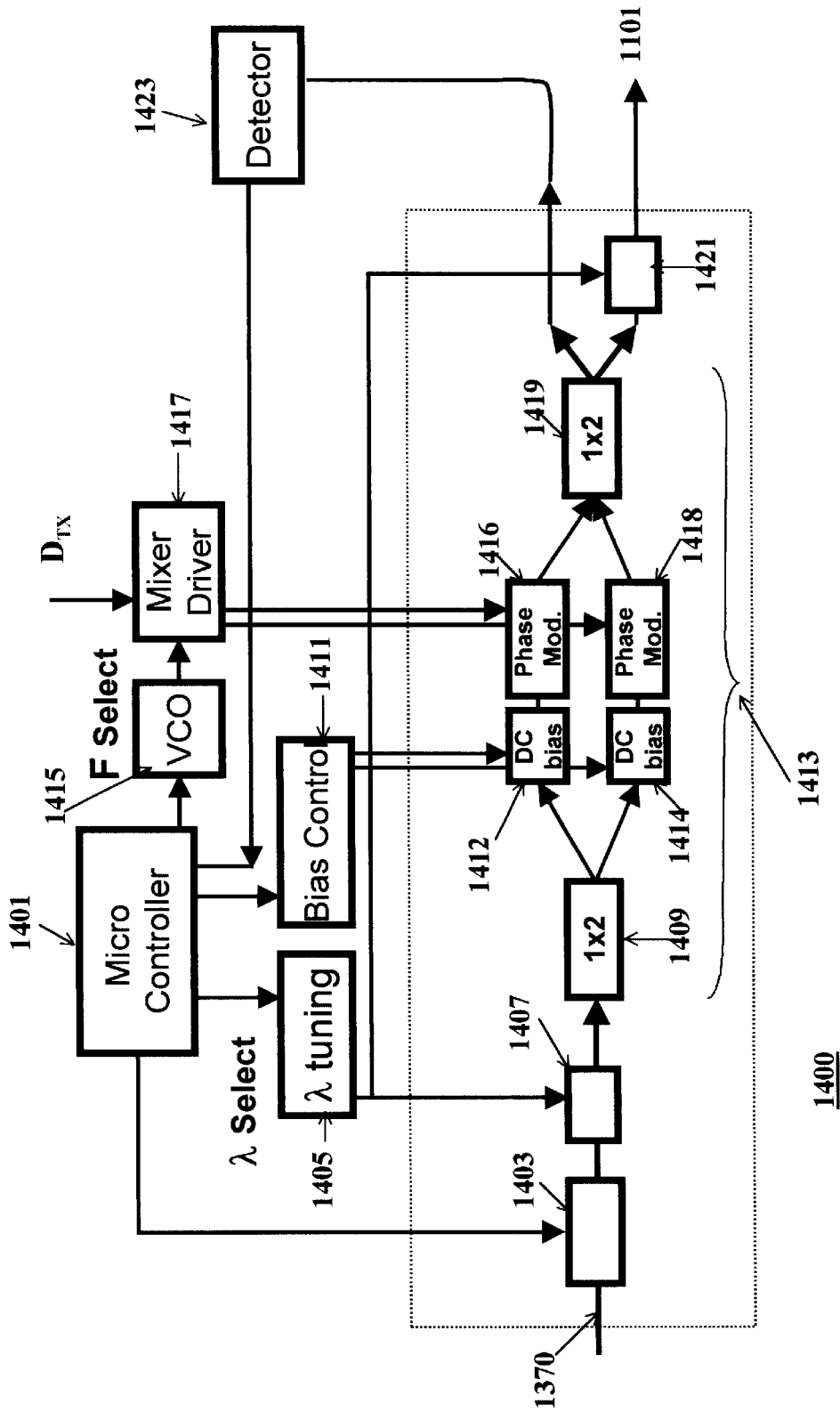


FIG. 14

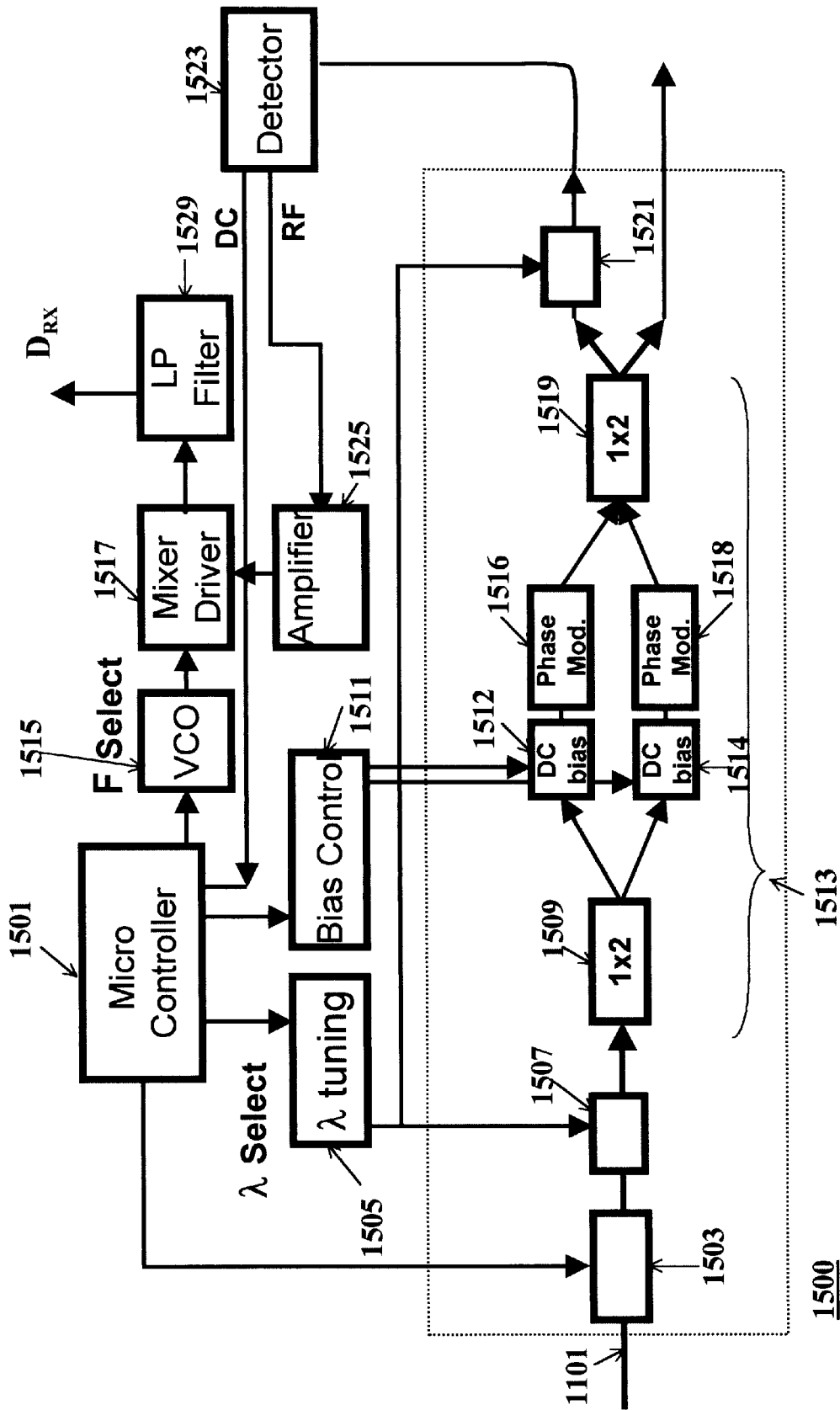


FIG. 15

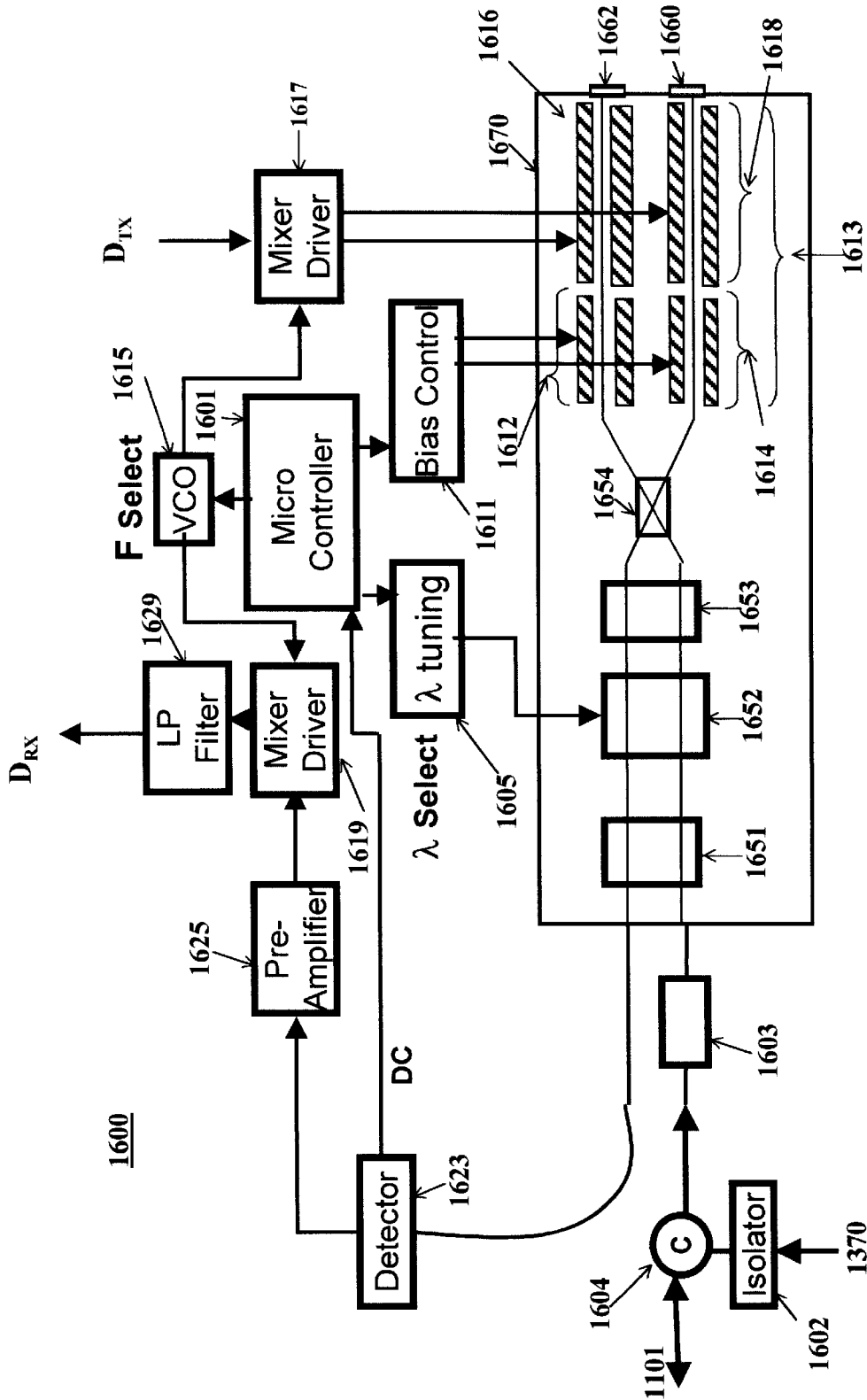


FIG. 16

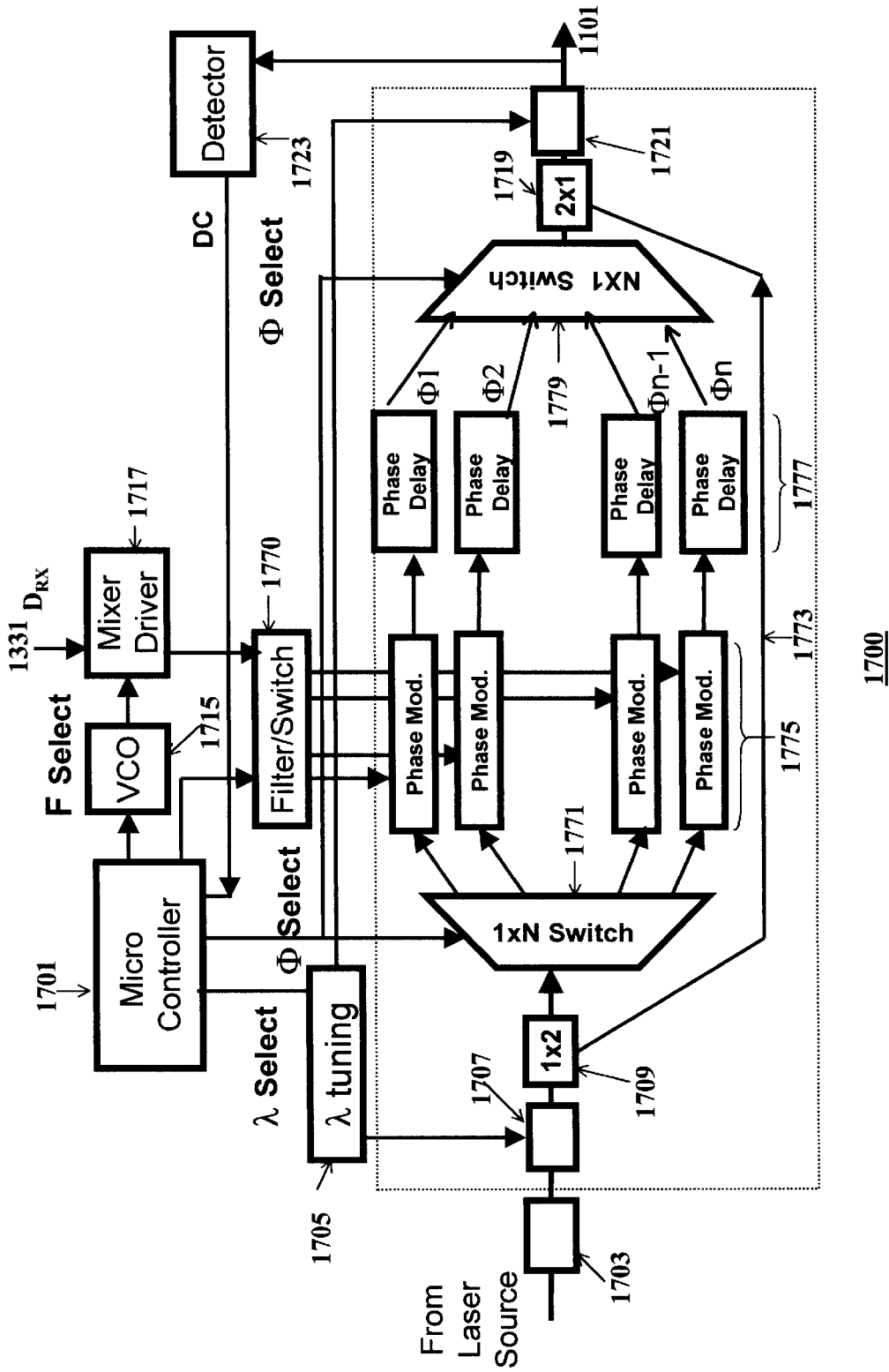


FIG. 17

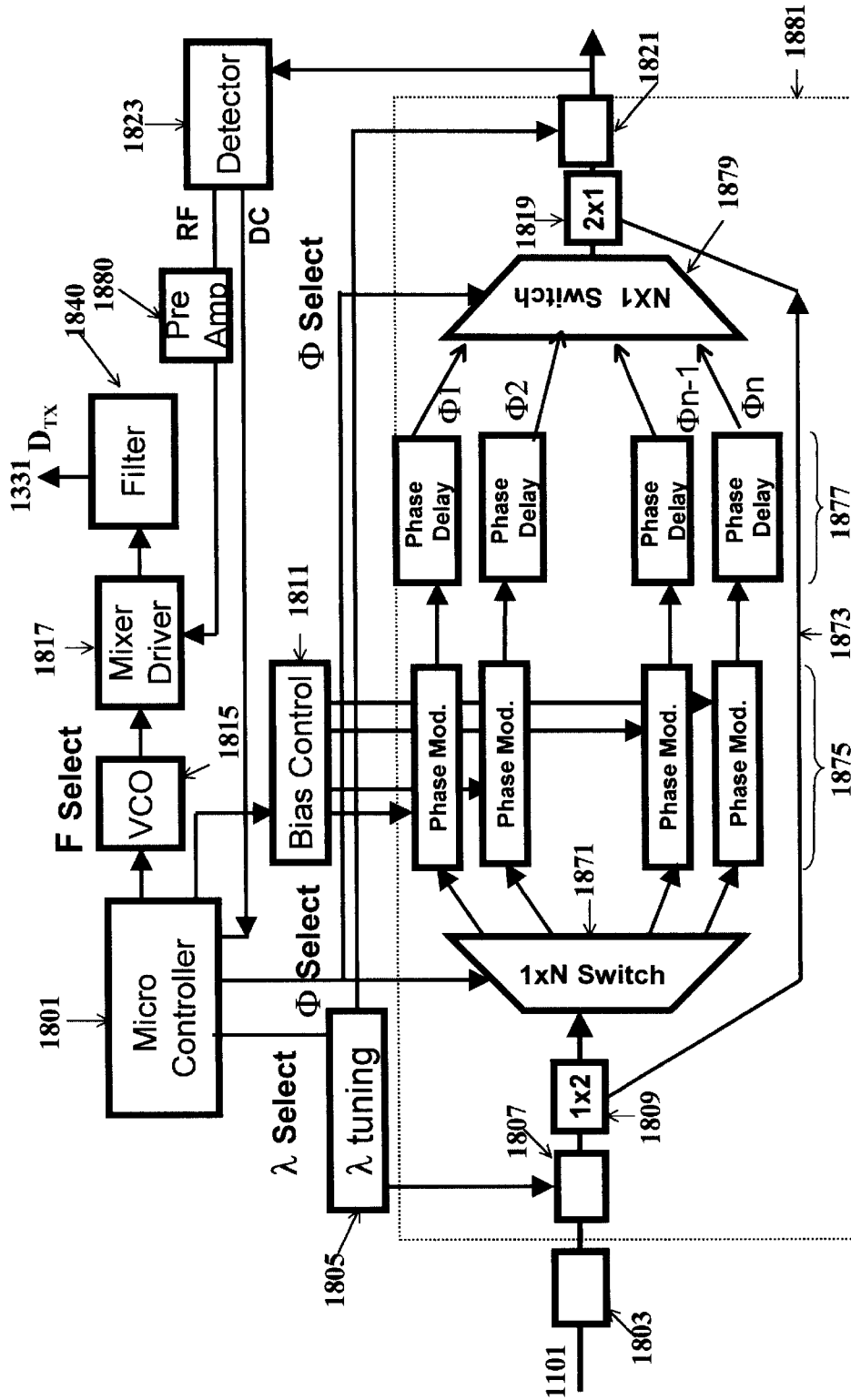


FIG. 18

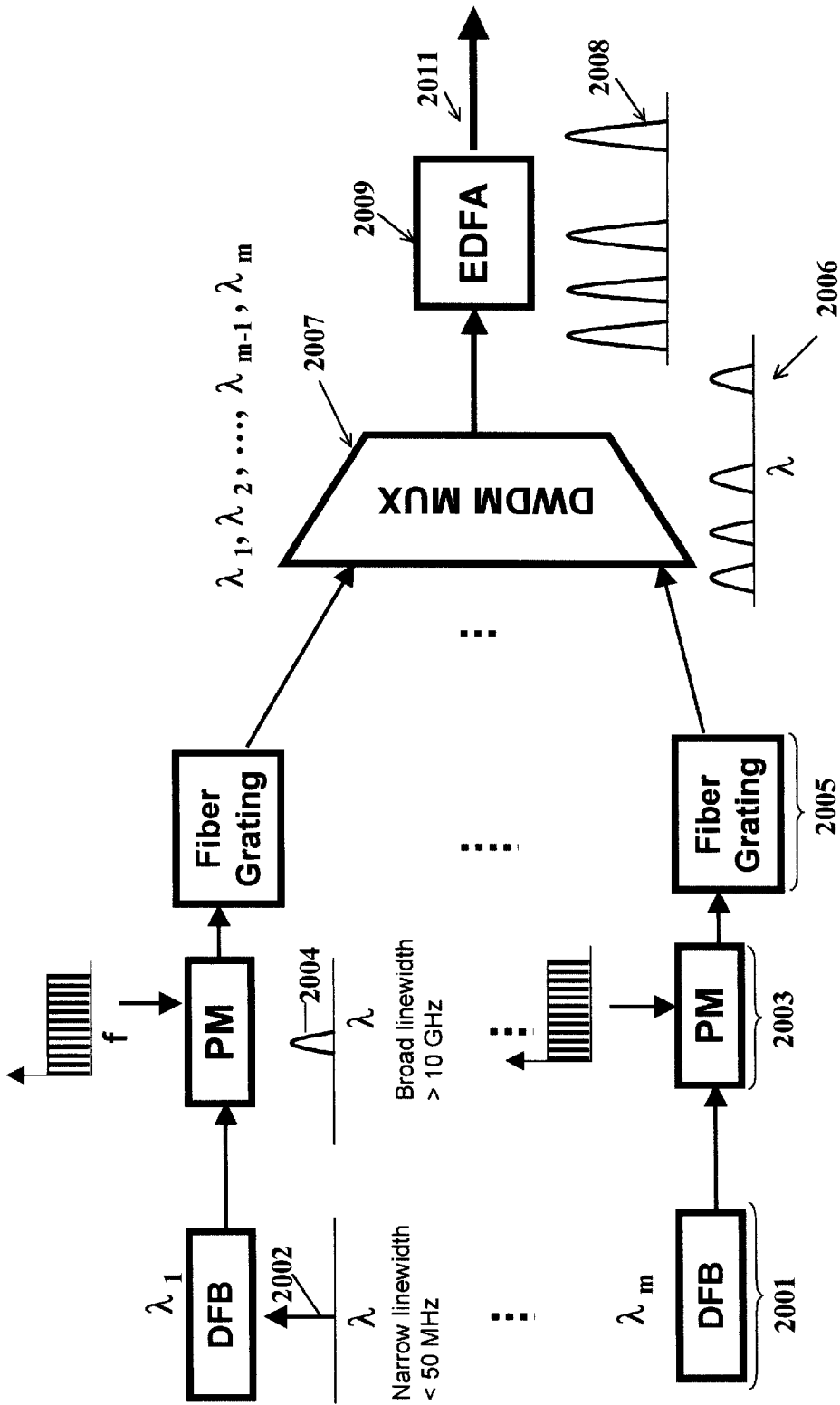


FIG. 20

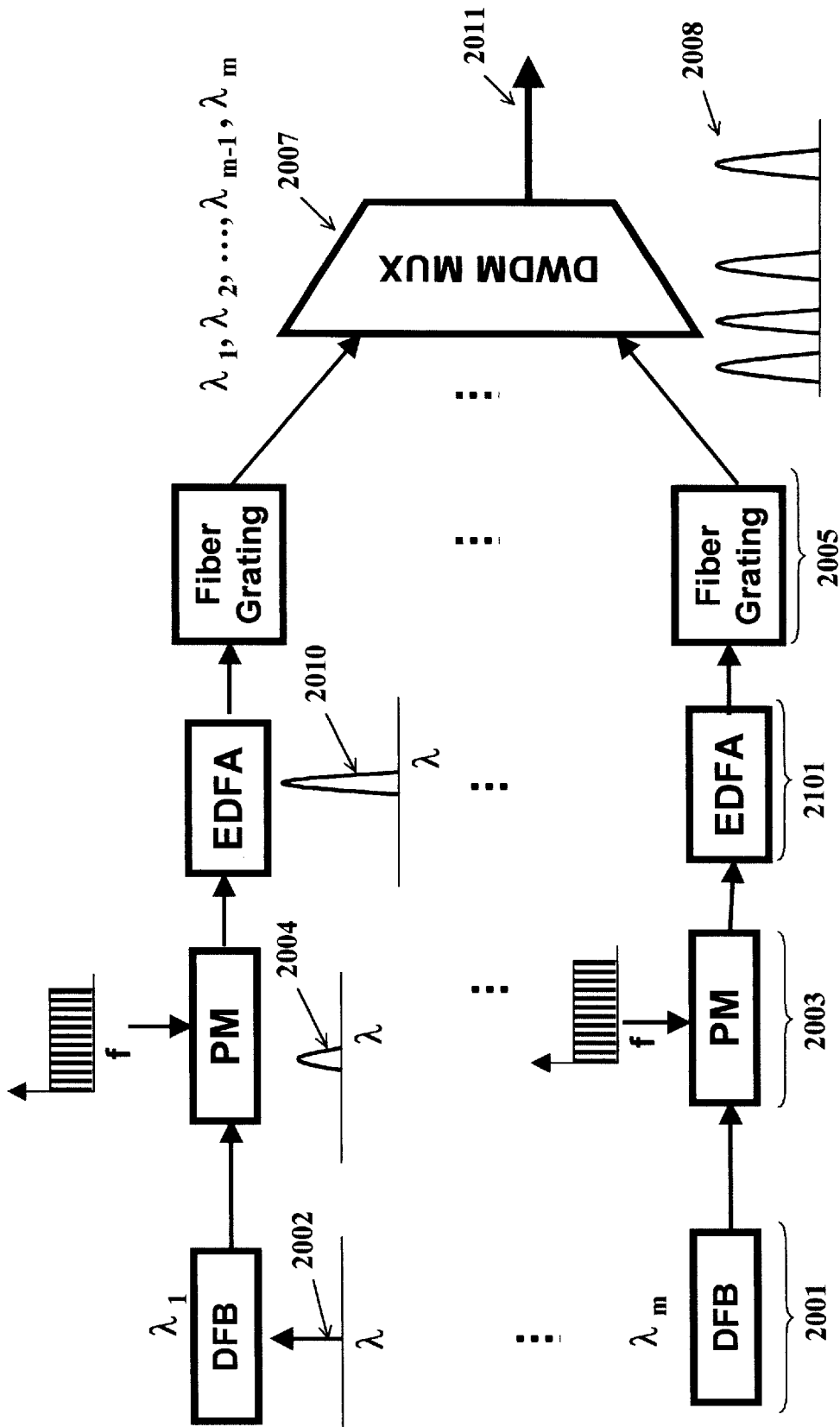


FIG. 21

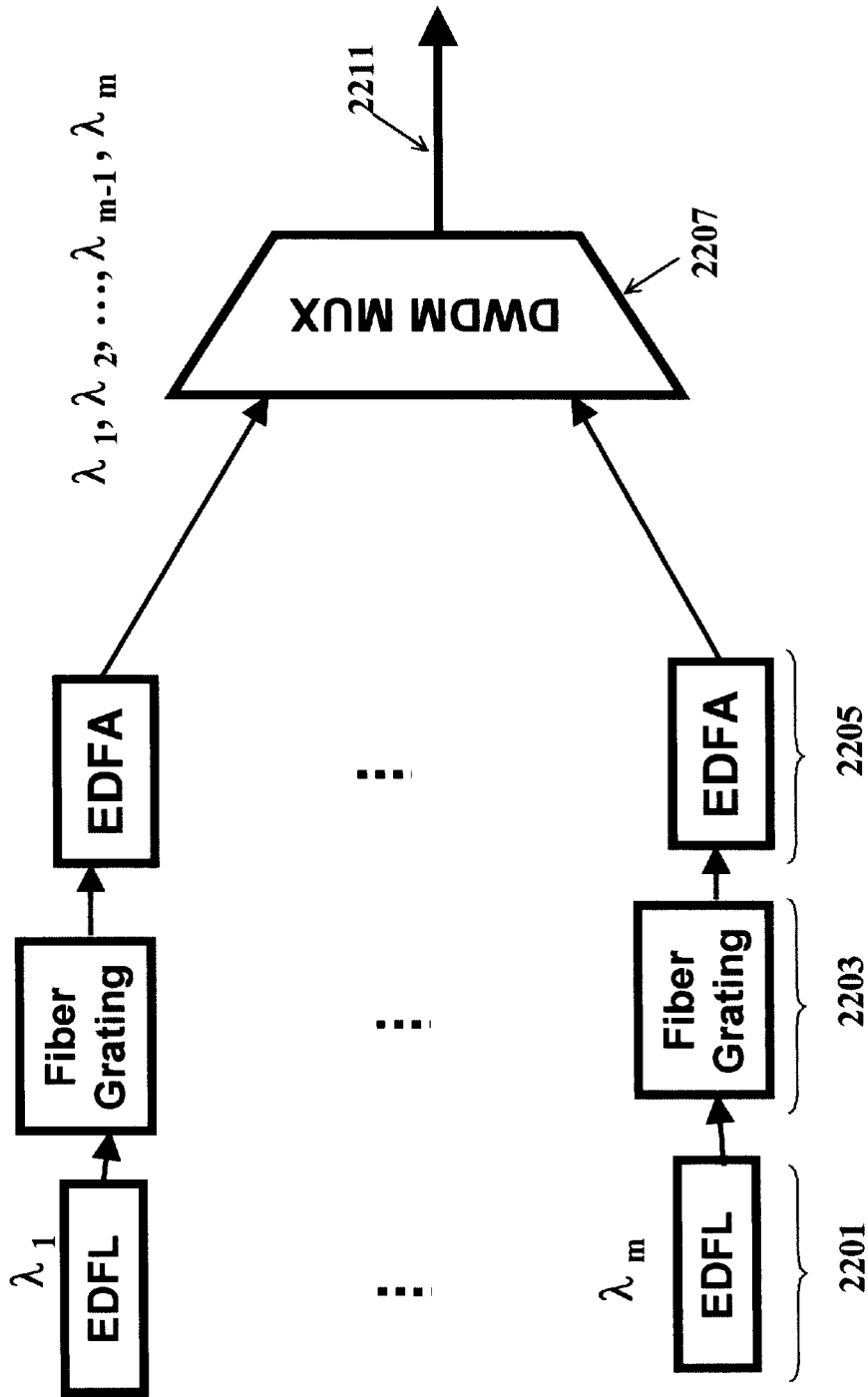


FIG. 22

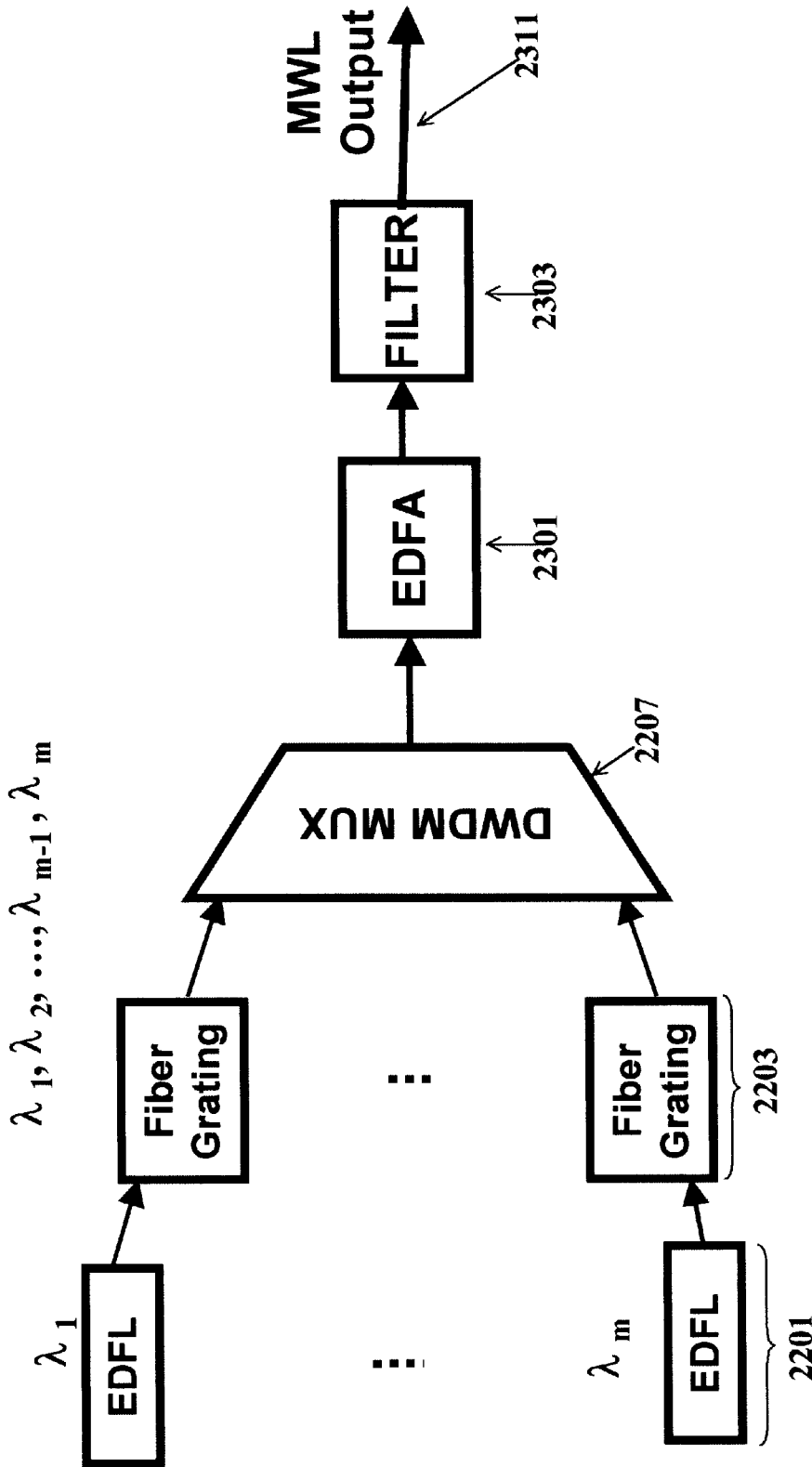


FIG. 23

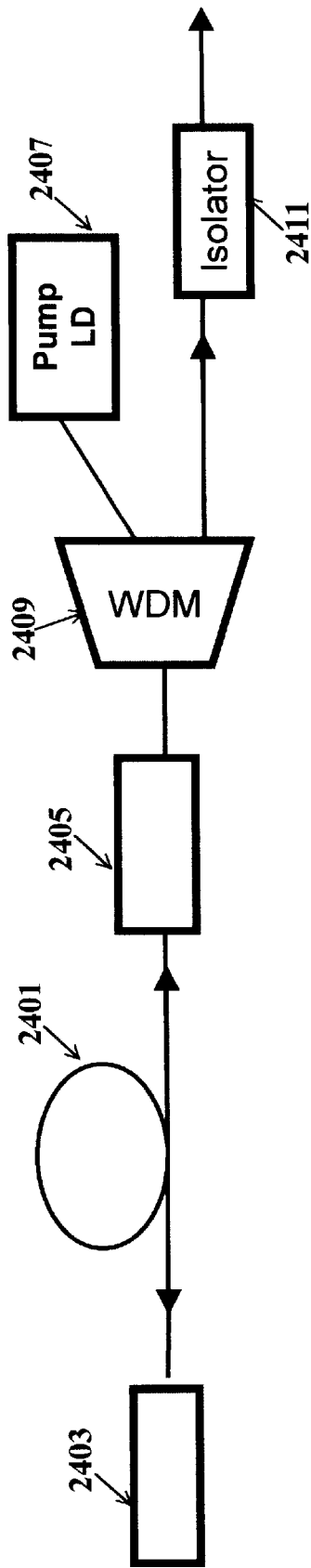


FIG. 24

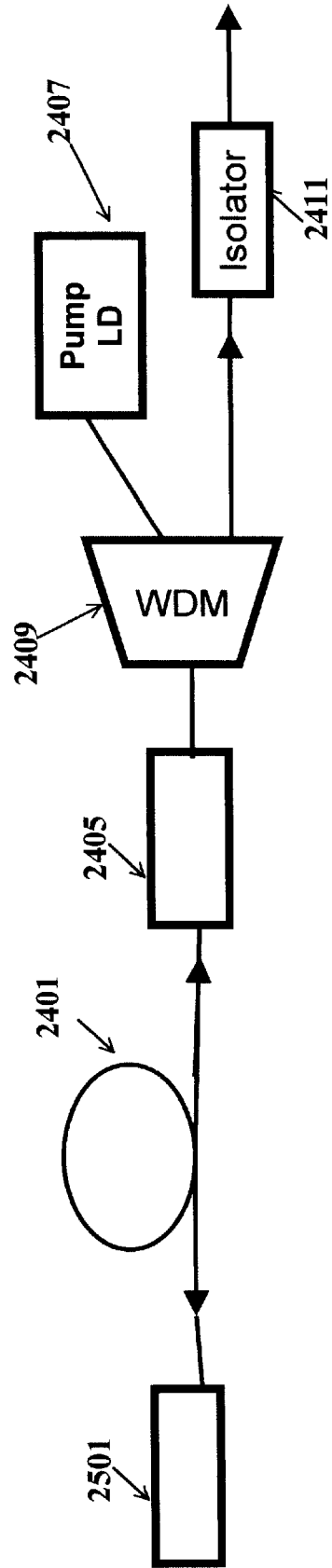


FIG. 25

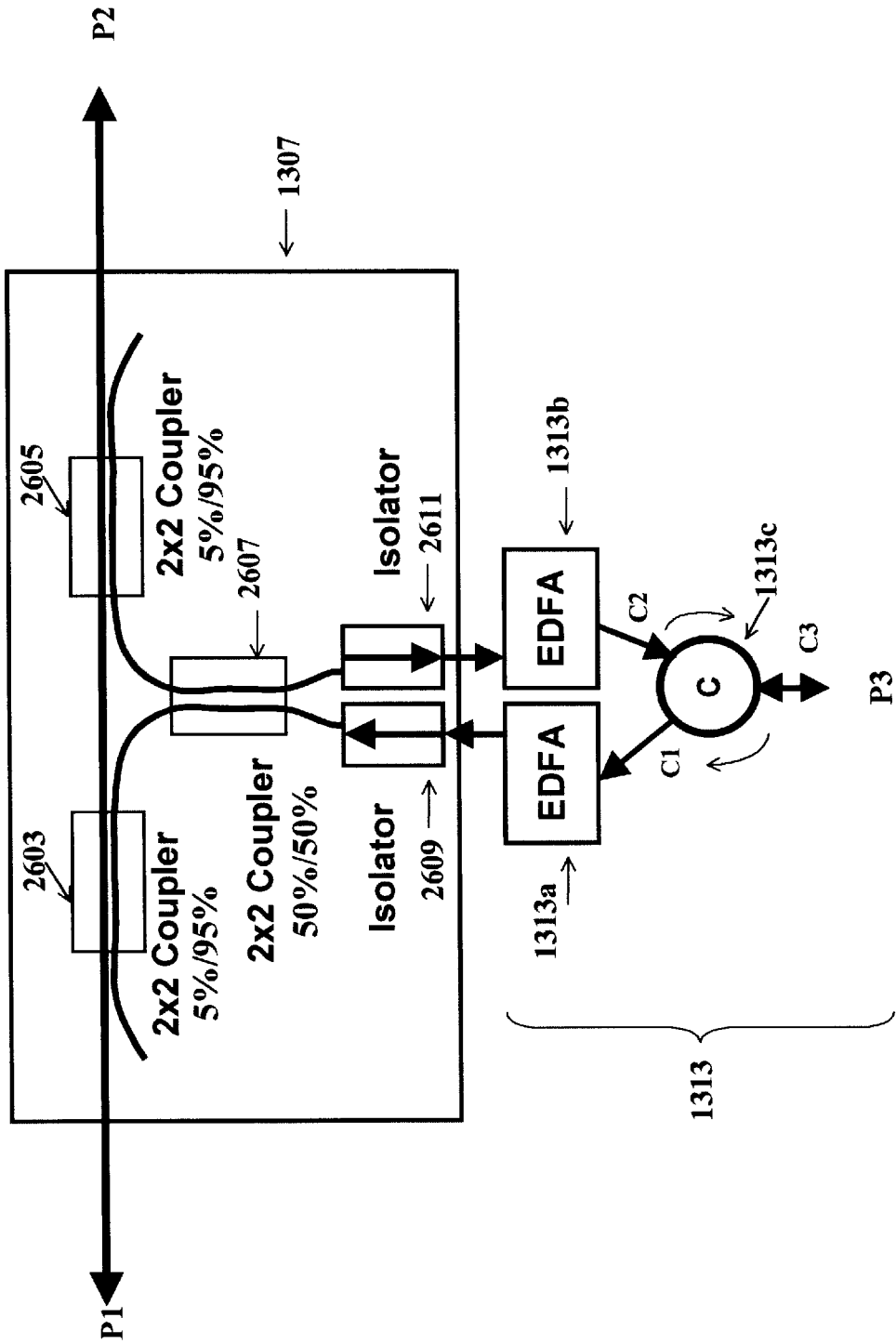


FIG. 26

OPTICAL COMMUNICATIONS SYSTEM WITH DYNAMIC CHANNEL ALLOCATION

FIELD OF THE INVENTION

This invention pertains to optical communications systems, in general, and to an optical network and a method of operating an optical network, in particular.

BACKGROUND OF THE INVENTION

As used herein, the term "optical network" relates to any network that interconnects a plurality of nodes and conveys information between nodes with optical signals. The term "optical communications system" as used herein refers to any system that utilizes optical signals to convey information between one node and one or more other nodes. An optical communications system may include one or more optical networks.

Telecommunications carriers began installing optical fiber cable about 15 years ago. At the time the optical fiber cables were installed, it was expected that the optical fiber infrastructure would provide communications systems and networks with ample capacity for the foreseeable future. However, the phenomenal growth of data traffic on the Internet has taxed the capabilities of the optical fiber infrastructure. In addition, new high bandwidth applications are being developed and are being made available for corporate applications. The result of this increased usage of the fiber infrastructure is serious network congestion and exhaustion of the fiber infrastructure. In the past, optical fiber systems relied on time division multiplexing to route traffic through a channel. Time division multiplexed systems add more capacity by time multiplexing signals onto an optical fiber. A disadvantage of time division multiplex systems is that data must be converted from light waves to electronic signals and then back to light. The system complexity is thereby increased.

As the demand for increasing traffic capacity continues, the limitations of existing optical networks and optical communications systems must be overcome. To do so, the capacity of the existing optical networks and optical communications systems needs to be increased. Capacity of existing optical infrastructure may be expanded by the laying of more fiber optic cable, for example. However, the cost of such expansion is prohibitive. Therefore a need exists for a cost-effective way to increase the capacity of existing optical infrastructure.

Wavelength Digital Multiplexing (WDM) and Dense Wavelength Digital Multiplexing (DWDM) are being used and/or proposed for use in long-haul telecom network applications for increasing the capacity of existing fiber optic networks. The advantage of both WDM and DWDM is that the conversion to electrical signals is not necessary. The devices that handle and switch system traffic process light and not electrical signals. WDM and DWDM would appear to many to be the solution to optical network limitations. In WDM, plural optical channels are carried over a single fiber optic, with each channel being assigned to a particular wavelength. By using optical amplifiers, multiple optical channels are directly amplified simultaneously thereby facilitating the use of WDM systems in long-haul optical networks. DWDM is a WDM system in which channel spacing is on the order of one nanometer or less. WDM and DWDM expand the capacity of an optical fiber by multiple wavelength channels into a single laser beam. Each wavelength is capable of carrying as much traffic as the original.

Thus in one example set forth by Barry Greenberg in *Special Report: new growth markets/emerging OEMs: lighting the way to a network-capacity solution*, Electronic Buyer News, 04-19-1999, pp. 50, "A fiber carrying four 2.5-Gbit/s DWDM channels, for example, has its capacity increased to 10 Gbit/s, without having to install additional fiber of use higher-speed transmission equipment." With WDM and DWDM, traffic passes from one node of the network to its destination in the form of light waves without conversion to electrical signals. DWDM and WDM will permit increase in the capacity of the fiber infrastructure. Systems with up to 128 and 240 DWDM channels have been proposed and/or are being built. However, DWDM and WDM are both limited by the non-linear cost increase as the network is expanded. In each instance, expansion beyond an incremental increase in traffic handling capacity may trigger significant investment in new optical fiber and equipment that is significantly in excess of the incremental increase in network capacity. In addition, DWDM based systems are not scaleable in expansion because equipment typically has to be replaced rather than merely added to. Existing implementations of both WDM and DWDM are too limited for solving the congestion problems of the existing optical infrastructure. The present systems are limited in the number of available channels. The slight increase in channel occupancy in such systems will present severe restrictions on the traffic handling capacity of the network. Additional difficulties with present implementations of DWDM and WDM technology include lack of flexibility; difficulty in handling packet switched information, nonlinear optical effects and the already noted lack of incremental and scaleable upgrade capability.

It is therefore highly desirable to provide an optical communication system that has increased channel capacity. It is further desirable to provide an optical communication system that provides bandwidth based upon user demand. It is further desirable that any improved optical communication system is able to utilize the existing fiber optic infrastructure. Such a solution will prevent so called "fiber exhaust". To effectively utilize the existing infrastructure in the face of the dramatic increases in traffic that will be encountered, it is highly desirable to increase channel capacity by a factor of 10 to 200 times that provided by DWDM to permit up to 20,000 channels to be served. It is also highly desirable that any improved optical communication system has a low cost per channel.

SUMMARY OF THE INVENTION

In accordance with the principles of the invention, fiber exhaust is substantially avoided by increasing the traffic handling capacity of existing fiber infrastructure. In the illustrative embodiment of the invention, the traffic handling capacity is increased by up to 200 fold over DWDM system technology.

In a method of operating an optical communications system in accordance with the invention, a plurality of optical channels is provided and the optical channels are utilized for communications among a plurality of communications nodes. Each optical channel is determined by at least two of three optical signal characteristics. A first one of the optical signal characteristics is selected from a plurality of predetermined optical wavelengths. A second one of the optical signal characteristics is selected from a plurality of predetermined optical phases, and a third one of said optical signal characteristics is selected from a plurality of optical modulation frequencies.

In one embodiment in accordance with the principles of the invention, two of the optical signal characteristics are

utilized to determine the optical channels. In this first embodiment of the invention, each channel is defined by one optical wavelength of a plurality of optical wavelengths and by one modulation frequency of a plurality of optical modulation frequencies.

In a second embodiment in accordance with the principles of the invention, one wavelength of a plurality of optical wavelengths, one frequency of a plurality of optical modulation frequencies, and one phase of a plurality of optical signal phases define each channel.

Optical communication system apparatus and methods of operating an optical communications system in accordance with the invention may utilize existing optical fiber networks and provide significantly increased channel capacity. In accordance with one aspect of the invention the system apparatus provides for a plurality of communications channels and a processor unit receives requests for allocation of one or more channels from a node coupled to the optical communications system. In accordance with the principles of the invention a system and method are provided in which system apparatus dynamically allocates one or more channels selected from unused channels.

Still further in accordance with the invention, any node coupled to the communications system can be coupled to any other node via any unused channel. In accordance with one aspect of the invention, the selection of a channel is in accordance with a predetermined algorithm. One algorithm is such that the channel distance between the assigned channel and other channels in use is maximized. Another algorithm is such that cross channel interference between the assigned channel and channels in use is minimized.

In a system in accordance with the principles of the invention, an optical network having a plurality of nodes, each node being coupled to the network, is provided with a laser source that serves as a reference to synchronize operation of the network. Still further in accordance with the principles of the invention, the reference laser optical output is distributed to all nodes of the network. In the illustrative embodiment of the invention, the reference laser output is distributed via a separate fiber optic path.

In accordance with one aspect of the invention, the laser reference is used to generate a plurality of channels for communication paths through the network. In accordance with another aspect of the invention, the laser reference is a multiple wavelength laser. Between the assigned channel and channels in use is minimized.

BRIEF DESCRIPTION OF THE DRAWING

The invention will be better understood from a reading of the following detailed description in conjunction with drawing figures, in which like reference designations are used to identify like elements, and in which:

FIG. 1 depicts an optical communication system in accordance with the principles of the invention;

FIG. 2 depicts representative optical signal power distribution levels in a portion of the system of FIG. 1;

FIG. 3 illustrates multiplexing of optical signals in accordance with the principles of the invention;

FIG. 4 is a block diagram of a system control unit in the system of FIG. 1;

FIG. 5 is flow chart illustrating channel assignment in accordance with the invention;

FIG. 6 is illustrates the wavelength multiplexing utilized in the system of FIG. 1;

FIG. 7 illustrates use of interferometer technology in an embodiment of the invention;

FIG. 8 illustrates a frequency multiplex/switch layer implementation utilized in an embodiment of the invention;

FIG. 9 illustrates in block diagram form a frequency modulator and frequency demodulator for use in a system in accordance with the invention;

FIG. 10 illustrates the multiplexing of signals in a second embodiment of the invention in accordance with the principles of the invention;

FIG. 11 illustrates, in simplified form, the transmission of data from one network node to a second network node;

FIG. 12 illustrates, in simplified form, the transmission of data from the second network node to the first network node of FIG. 11;

FIG. 13 is a block diagram of a network node in accordance with the invention;

FIG. 14 is a detailed block diagram of a portion of a first optical network processor (ONP) for use with an embodiment of the invention;

FIG. 15 is a detailed block of a second portion of the first optical network processor useable in conjunction with the optical network processor portion of FIG. 14;

FIG. 16 is a detailed block diagram of a second optical network processor;

FIG. 17 is a detailed block diagram of a first portion of a third optical network processor for use with the second embodiment of the invention;

FIG. 18 is a detailed block diagram of a second portion of the third optical network processor useable in conjunction with the optical network processor portion of FIG. 17;

FIG. 19 is a detailed block diagram of a fourth optical network processor;

FIGS. 20 through 23 depict multiple wavelength laser reference sources;

FIGS. 24 and 25 depict Erbium doped fiber lasers (EDFLs) utilized in the reference sources of FIGS. 20 through 23; and

FIG. 26 depicts an optical add/drop (OAD).

DETAILED DESCRIPTION

Optical networks are increasingly being utilized to support communication of various content between nodes. These optical networks form part of optical communication systems. These optical communication systems are, in some applications, characterized as "long-haul", "metro" and "short haul" networks. In "metro" network applications the bandwidth requirements of the networks has doubled every ten months. New communications applications require high bandwidth of the type found in Metro networks. However, the present traffic capacity of Metro networks is limited.

In accordance with the principles of the invention a solution to the problems with existing optical network and optical communication systems combines bandwidth and channel requirements into a single complete architecture.

One objective of the present invention is to be able to provide for bandwidth upgrade to the existing optical fiber networks and optical communications systems. In accordance with the present invention, increasing the available channel count and speed increases the bandwidth of existing optical networks. The number of concurrently available channels is increased over WDM systems by a factor of 10 to 200 permitting serving up to 20,000 channels simultaneously. As will be appreciated by those skilled in the art, the number of users that may be served by a multi-channel communications system is determined by the number of

channels and an occupancy factor. In accordance with even a modest occupancy factor and bandwidth demand, the system of the present invention may be used to provide communications for in excess of 200,000 users concurrently. In addition, the system and method of the present invention provides for dynamic, on-demand bandwidth allocation and the capability of establishing communication between two random nodes, i.e., any node coupled to the communications system can communicate with any other node coupled to the communications system.

FIG. 1 depicts an optical communication system 1000 in accordance with the principles of the invention. Optical communication system 1000 includes a Metro Network 1100 coupled to a Long Haul Network 1200 via an optical add/drop module 1203 and optical cross connect module 1205. Metro Network 1100 couples one or more local access networks 1301, 1303, 1305 to each other and to Long Haul Network 1200. Long Haul Network 1200 interconnects plural Metro Networks 1100. For purposes of clarity in the drawings and simplicity in the description, only one Metro Network 1100 is shown. Metro Networks 1100 are typically located at widespread geographic locations. However, it is not intended to limit applicability of the present invention to arrangements in which networks are dispersed geographically. The present invention is applicable to networks that are overlapping in geographic areas or even to networks that are in the same geographic area.

Metro Network 1100 is, in the illustrative embodiment, depicted as a ring-based metropolitan network system. Metro Networks are intended to provide high bandwidth to end customers directly and/or via local loop access networks. In the illustrative embodiment depicted in FIG. 1, Metro Network 1100 is depicted as a ring based network having a fiber optic ring 1101. It will be understood by those skilled in the art that the invention is, not limited to use in networks that are of a ring based structure. The principles of the invention are equally applicable to other network architecture structures including, not by way of limitation but by way of example, star network structures, mesh network structures, and point-to-point structures. For purposes of clarity and brevity, those additional network architecture structures are not shown in the drawing. In addition, although the illustrative embodiment of the invention depicts a Metro Network coupled to plural Access Networks 1301, 1303, 1305, the principles of the invention are not so limited. In addition, those skilled in the art will realize that the particular-nomenclature used to describe the illustrative embodiment is also not intended to be limiting of the invention in any manner. For example, it is not intended to limit any aspect of the invention to so-called "Metro Network" applications. Those skilled in the art are familiar with the specific terminology utilized to describe the illustrative embodiment and will realize that the invention is applicable to other named communication systems and networks. For example, the principles of the present invention are applicable to "long haul" networks. Still further, the principles of the invention are not limited to optical communications systems utilizing only optical fiber for the communications paths. Those skilled in the art will recognize that various other terms may be used to describe or designate the identical or similar networks. For example, the term "long distance network" is also used in place of "long haul network".

Each Access Network 1301, 1303, 1305 is coupled to optical fiber ring 1101 of Metro Network 1100 via "add and drop nodes" referred to herein as optical add/drops (OADs) 1307, 1309, 1311, respectively. Optical add/drops in various

forms are known to those skilled in the art. In its simplest form an optical add/drop is a coupler. Optical add/drops are used to add or extract optical signals. In the present invention, OADs 1307, 1309, 1311 are utilized to inject (add) and retrieve (drop) optical signals into and from optical fiber ring 1101. Both add and drop are bidirectional with respect to optical fiber ring 1101. By, "bidirectional" it is meant that optical signals may be transmitted in or received from either direction, i.e., to the right or to the left in the ring as shown, on optical fiber ring 1101. In addition, OADs utilized in the embodiment of the invention described herein provide broadband operation. An OAD particularly advantageously utilized in the embodiments of the invention is show in FIG. 26 and described in greater detail with respect to FIG. 26.

Each optical add/drop 1307, 1309, 1311 is, in turn, coupled to an optical fiber amplifier 1313, 1315, 1317. Optical fiber amplifiers 1313, 1315, 1317 may be of known design. In the illustrative embodiment of the invention the optical fiber amplifiers 1313, 1315, 1317 are each Erbium-doped amplifiers (EDFAs). EDFAs are the latest state-of-the-art solution for broad band amplification of optical signals in optical communication systems. EDFAs are commercially available from various sources. EDFAs overcome propagation losses of the optical signals through the optical fiber and boost the optical signals to necessary receiver levels. EDFAs can be used to amplify WDM and DWDM signals.

Access network 1301 includes a plurality of access locations or nodes that include a residential complex 1331 and a small office building 1333. Other access locations are not shown for clarity, but it will be understood that more than two access locations may be coupled into access network 1301. Furthermore, it will be understood by those skilled in the art that the various types of access locations or nodes shown are merely representative of the types of end users and are not intended in any way to limit the scope of the invention. The terms "node" and "access location" are used interchangeably herein. Each access location 1331, 1333, 1341, 1343, 1351 has associated with it an optical network processor 1335, 1337, 1345, 1347, 1353. The number of access locations 1331, 1333, 1341, 1343, 1351 that may be coupled into an access network 1301, 1303, 1305 is dependent upon the number of users and the traffic usage. Access network 1303 includes user complex 1341 and office building 1343 along with other locations that are not shown. Optical network processors 1345, 1347 are utilized to provide network access functionality for user complex 1341 and office building 1343, respectively. Access network 1305 includes large office complex 1351 and a single optical network processor 1353. It will be understood by those skilled in the art that the number of optical network processors 1335, 1337, 1345, 1347, 135 associated with each access network 1301, 1303, 1305 may be more or less than the numbers shown in the drawing Figures. In operation, any user at any of the locations 1331, 1333, 1341, 1343, 1351 can utilize the communications system shown to access and exchange information with any other user in access networks 1301, 1303, 1305 or any other user coupled to Metro Network 1100 or to any user coupled to long haul network 1200. In addition to being able to couple any user to any other user coupleable to the communications system, the system of the invention can use any idle channel as a communications channel between any two users or nodes. This is identified as the random connection capability of the communications system of the invention.

In accordance with the principles of the invention, optical reference signals originating at a reference laser source are

utilized to provide for channel synchronization and to permit a significant increase in the number of channels that are available for use in the system. In the illustrative embodiment of the invention, an additional ring **1370** is provided for the distribution of reference optical signals from a reference laser source. The additional ring **1370** serves to distribute reference optical signals throughout the Metro Network **1100** to all access networks **1301**, **1303**, **1305**. The reference laser source is, in the illustrative embodiment, co-located with a system control unit **1360**. The reference optical signals are distributed via a ring network **1370**. The reference optical signals are coupled to each access network **1301**, **1303**, **1305** via an optical coupler **1371**, **1373**, **1375**, respectively. The optical output of each coupler **1371**, **1373**, **1375** is distributed to each optical network processor via an optical amplifier **1381**, **1383**, **1385**. As will be apparent to those skilled in the art, although the structure depicted in the illustrative embodiment of the invention is shown as a ring type distribution, the invention is equally applicable to other distribution structures such as, not by way of limitation but by way of example, star, mesh or point-to-point distribution arrangements. Furthermore, the distribution structure for the reference signals does not have to correspond to the structure of the network. That is, because a ring distribution structure is used in the communications system, a ring distribution structure does not have to be used with the reference optical signal distribution, other distribution structures may be used including hybrid combinations of various distribution arrangements.

The reference laser source utilized in the illustrative embodiment includes a multiple wavelength laser. To assure adequate optical power levels are provided to each node coupled to the access networks **1301**, **1303**, **1305**, a distribution network and power allocation arrangement is provided as shown in FIG. 2. System control unit **1360** has co-located therewith a reference laser source **1362**. Optical reference signals from reference laser source **1362** are coupled to optical fiber ring **1370**. Additional optical couplers **1372** are shown to indicate that additional access networks may also receive optical reference signals. In network **1370** additional optical amplifiers **1382** are employed to maintain a power level of +10 dBm for each wavelength. At the output of optical couplers **1371**, **1373**, **1375** the power level is a +0 dBm. Optical amplifiers **1381**, **1383**, **1385** raise the power level to +13 dBm.

The output of each optical amplifier **1381**, **1383**, **1385** may be distributed at the access network level to one or more optical network processors, such as optical network processor **1335**. Optical couplers, such as optical coupler **1384** provide this distribution. Optical coupler **1384** couples the output of amplifier **1381** to up to eight optical network processors, such as optical network processor **1335**. The power level for each wavelength of the reference laser signal at the input to the optical network processor **1335** is maintained at +3 dBm. By use of optical amplifiers **1381**, **1383**, **1385** and amplifiers **1382** disposed in the reference laser ring network **1370**, uniform useable reference laser signals are made available at each optical network processor. Although specific signal levels are shown in the illustrative embodiment of FIG. 2, those signal levels are intended to indicate how distribution of optical reference signals at adequate levels may be provided and is not intended to be limiting any way.

In a first embodiment of the invention, a multiple wavelength laser is utilized to provide a reference optical signals for generation and assignment of optical channels that are determined from selecting for each channel one wavelength

of a plurality of optical wavelengths and one frequency of a plurality of optical modulation frequencies. In the illustrative system, the number of wavelengths that are obtainable from a multiple wavelength laser source is M wavelengths, where M is 32. The number of optical modulation frequencies is O, where O is 128. Thus the system of the first embodiment of the invention has a channel capacity of $32 \times 128 = 4096$ channels. Each channel in the system of the illustrative embodiment has a bandwidth of 155 mbs. In other embodiments of the invention higher or lower speed and bandwidths may be used. Also, in other embodiments of the invention, different numbers of channels, different numbers of wavelengths and different numbers of optical modulation frequencies may be utilized.

Turning to FIG. 3, the functionality of multiplexing and switching channels identified by wavelength and frequency is illustrated. For each wavelength, λ_1 through λ_M , frequencies F_1 through F_O , are multiplexed by multiplexor/demultiplexors **201**. The frequency multiplexed wavelengths at the outputs of multiplexors **201** are multiplexed together at wavelength multiplexor/demultiplexor **203**. The multiplexed optical output of multiplexor/demultiplexor **203** is coupled to optical network **1101**. The multiplexor/demultiplexor functions are changed to demultiplexing for received optical signals. The optical signals received over optical network **1101** are first wavelength demultiplexed by multiplexor/demultiplexor **203** to wavelengths λ_1 through λ_M . For each wavelength, a multiplexor/demultiplexor **201** demultiplexes the frequencies F_1 through F_O . The multiplexor/demultiplexors **201**, **203** provide switched multiplexing. For example, multiplexor/demultiplexor **203** to the left in FIG. 3 can switch any number of wavelengths onto optical network **1101**.

FIG. 4 illustrates a system control unit **1360** in block diagram form. System control unit **1360** includes multiple wavelength laser **1362** that is coupled to optical amplifier **1363**. Optical amplifier **1363** couples wavelength laser **1362** to laser reference ring network **1370**. A network processing unit **1364** is provided to control and monitor operation of the supply of reference optical signals to the reference ring network **1370**. A wavelength sensing circuit **1366** is coupled to the output of optical amplifier **1363**. Optical amplifier **1363** provides sensing signals to network processing unit **1364** that permit network processing unit **1364** to adjust the output level of optical amplifier **1363** and to control multiple wavelength laser **1362**. Network processing unit **1364** is coupled to network **1100** via an optical network processor **1368**, an optical amplifier **1369** and an optical add/drop **1317**. Network processing unit **1364** receives requests for bandwidth and channel assignments from nodes coupled to the network **1101** and responds with the address of one or more allocated channels. The number of channels allocated to a node depends upon the bandwidth needed for handling the traffic. Network processing unit **1364** includes one or more processors and associated memory. The processor units may be commercially available processors. Memory associated with the processor unit or units may be any commercially available memory. Programs stored in memory are utilized to control the operation of network processing unit **1364**.

Operation of system control unit **1360** in processing requests for channel assignments is shown in FIG. 5. System control unit **1360** constantly identifies which channels have been allocated and which channels are idle. System control unit **1360** responds dynamically to requests for channels by selecting channels from the idle channels and allocating the channels as needed. When communication between users

over a channel is complete, the channel is returned to the designated idle channel pool. In the illustrative embodiment of the invention, system control unit **1360** selects an idle channel to achieve maximum isolation with used channels, i.e., the channel is selected to have the maximum separation from channels in use. In other embodiments of the invention, the manner in which channels are selected may utilize a selection algorithm or a weighting selection or other scheme for channel assignment. In operation, a system node that needs to transmit information via the network **1100** transmits a request to system control unit **1360** as indicated at step **501**, for a channel. The request also identifies the destination node or nodes. After receiving the request, network processing unit **1364** selects a channel from the pool of available channels, as indicated at step **503**. The channel address is assigned. Wavelength and frequency identify the channel address. At step **505**, network processing unit **1364** provides the designated channel identity to the transmitting node and to the receiving node. Network processing unit **1364** identifies the assigned channel as in use at step **507**. Transmission and reception of information occurs at step **509**. Upon completion of transmission by transmitting node, network processing unit **1364** reclaims the channel and again assigns it to the pool of available channels at step **511**. Communication of channel assignments to system nodes may be accomplished in any one of a number of conventional channel assignment methods. In the illustrative embodiment of the invention, communication of channel assignments to nodes from SCU **1360** and from node to SCU **1360** is accomplished by use of dedicated control and communication channels.

FIG. **6** illustrates the operability of the multiplexing and switching provided in the improved network of the invention. In FIG. **6**, an optical fiber network such as network **1101** is illustrated as a ring. At the system control unit **1360**, multiple wavelengths optical signals, λ_1 through λ_M , are multiplexed together and distributed via reference laser ring network **1370** to network nodes. Chart **602** indicates the wavelengths that are available on reference laser ring network **1370**. A network node, identified as node **603** has requested that a channel be assigned. System control unit **1360** allocates a channel. The allocated channel includes wavelength λ_z . At network node **603**, a tuned optical wavelength filter **605** is utilized to select the wavelength λ_z assigned by the system control unit **1360**. Filter **605** couples optical channel signals at the wavelength λ_z over the optical fiber network **1101**. Chart **604** indicates that the output of the output of node **603** presented to network **1101** is a single wavelength. Other nodes likewise transmit different wavelength channels over the network **1101** as indicated by the additional inputs to optical fiber network **1101**. Wavelength chart **606** illustrates that although each node may provide an optical signal at a single wavelength, optical fiber network **1101** carries multiple wavelengths. System control unit **1360** has informed node **607** that it is assigned to receive communications from node **603** at wavelength λ_z . At a node **607**, a tunable optical wavelength filter **609** is adjusted to select wavelength λ_z and provide the signal to a detector **611** that is used to extract information carried by the optical signals. Chart **608** indicates that the output of tunable optical wavelength filter **609** provides a single wavelength output. Tunable output wavelength filters **605**, **609** may be of a design described in the literature.

In a second embodiment of the invention, advantageous use is made of the properties of optical signals to further enhance the channel capacity of optical communication systems. A phase modulated optical signal may be charac-

terized in terms its wavelength λ , its phase ϕ , and its modulation frequency f . Recognizing this, the second embodiment of the invention utilizes phase modulated and delayed optical signals and defines each optical channel by a wavelength multiplex, a phase delay or coherence multiplex and a frequency multiplex. In the second illustrative embodiment of the invention, the number of wavelength multiplexed is identified as "M". The number of phase or coherence multiplexed channels is identified as "N". The number of frequency multiplexed channels is "O". With $M=32$, $N=8$, and $O=64$, the number of available channels that may be multiplexed together is $32 \times 8 \times 64$ or 16,000 channels. Each channel has a bandwidth of 155 mbs. Thus the total bandwidth is $16,000 \text{ channels} \times 155 \text{ mbs} = 2.5 \text{ tbs}$. In other embodiments of the invention higher or lower speed and bandwidths may be used. Also, in other embodiments of the invention, different numbers of channels, different numbers of wavelengths and different numbers of optical modulation frequencies may be utilized.

The architecture of the second embodiment of the invention is the same as shown in FIGS. **1** and **2**. The system control unit **1360** as shown in FIG. **4** and its operation as set forth with respect to FIG. **5** are substantially the same in the second embodiment. The system and method of the second embodiment of the invention utilize a phase multiplex/switch layer, a frequency multiplex/switch layer and a wavelength multiplex layer in addition to the wavelength multiplex/switch layer described in conjunction with FIG. **6**.

The phase multiplex/switch layer makes advantageous use of the fact that a single wavelength optical signal in optical fiber can carry multiple phases. At the transmission end phase separation is provided through delay of the channel with respect to the reference channel. By creating a phase delay that is larger than the coherence length of the laser, multiple phase channels can be multiplexed into a single wavelength. At the receive end, phase recovery is provided. By reversing the phase delay and interfering with the reference signal, the phase-multiplexed channel can be separated and detected with an interferometer.

Turning to FIG. **7**, the manner in which interferometer technology may be utilized to provide phase multiplex/switching is illustrated. In the illustration, four phase channels are illustrated. It will be understood by those skilled in the art that the number of phase channels shown in FIG. **7** is merely illustrative and is not in any way to be considered as limiting. In FIG. **7**, the transmit end is illustrated at **700** and the receive end is illustrated at **710**. Interconnecting transmit end **700** and receive end **710** is the optical fiber network **1101**. Light source **701** generates optical signals. Phase delays are created as shown at **703** to produce four phase multiplexed data channels. The undelayed optical signal **704** provides a reference. The phase delayed signals **702** are phase modulated at **705** to encode data onto the signals. The phase delayed optical signals appear on the optical network **1101** as shown at **707**. At receive end **710**, a phase delay reversal is provided at **709**. By utilizing reference signals the phase multiplexed reference signal is demultiplexed. Interferometer techniques **711** are utilized to demodulate and decode the data that was transmitted via the optical signals.

In the phase interferometer multiplex/switching portion, signals are detected by interferometer based on phase amplitude, not by intensity, to get better sensitivity. Amplifiers can compensate for system losses thereby leading to a system that tolerates more loss. In addition, by providing signals in difference phases, multiple wavelength channels are carried in the same wavelength. Switching between

phase channels can be done electro-optically within less than 0.1 microsecond to allow for fast packet switching. Channel isolation is enhanced by properly selecting phase, wavelength and modulation frequency.

FIG. 8 illustrates the frequency multiplex/switch layer implementation utilized in the invention. In the illustrative embodiment, O optical frequencies, F_1 through F_O , are utilized as carriers. Modulators 801 produce modulated optical signals at the individual optical carrier frequencies, F_1 through F_O . Combiner 803 combines the individual carrier frequencies onto the optical network 1100. As illustrated in spectral chart 804, combiner 803 combines all the carrier frequencies onto the network optical fiber 1101. At the receive end a divider 805 separates the frequency components, F_1 through F_O . Demodulators 807 demodulate the optical signals.

FIG. 9 illustrates in block diagram form a modulator 801 and a demodulator 807. Data 903 to be transmitted is combined in a mixer 905 with an IF signal produced by a RF source 901. The resulting RF signal is applied to a RF driver filter 907 that provides appropriate filtering and driver buffering. The output of RF driver filter 907 is supplied to modulator 909 to modulate an optical signal from a light source 911. The optical signal from light source 911 is modulated by an RF signal at the modulation frequency corresponding to the channel assigned for communication to the node at which the modulator 801 is located. At the receiver node that is intended to receive data from the node at which modulator 801 is located, demodulator 807 receives optical signals. Demodulator 807 includes a detector circuit 913. Detector circuit 913 is set to detect optical signals at the channel frequency designated for communication from the node at which modulator 801 is located. The output of detector 913 is coupled to a RF driver filter 915. The output of the RF driver 915 is combined with an IF signal provided by RF source 917 in a mixer 919 to recover the transmitted data at terminal 921. The IF signal is at the modulation frequency assigned to the particular channel.

Turning to FIG. 10, the functionality of multiplexing and switching channels identified by wavelength, phase and frequency is illustrated. For each phase, Φ_1 through Φ_N , of each wavelength, λ_1 through λ_M , frequencies F_1 through F_O , are multiplexed by multiplexor/demultiplexors 201. The frequency multiplexed signals for each of the phases at the outputs of multiplexors 201 are multiplexed together at phase multiplexor/demultiplexors 1021. The frequency and phase-multiplexed signals for each wavelength are applied to wavelength multiplexor/demultiplexor 203. The multiplexed optical output of multiplexor/demultiplexor 203 is coupled to optical network 1101. The multiplexor/demultiplexor functions are changed to demultiplexing for received optical signals. The optical signals received over optical network 1101 are first wavelength demultiplexed by multiplexor/demultiplexor 203 to wavelengths λ_1 through λ_M . For each wavelength, a corresponding phase multiplexor/demultiplexor 1021 demultiplexes phases and for each phase a multiplexor/demultiplexor 201 demultiplexes the frequencies F_1 through F_O . Each multiplexor/demultiplexor is bidirectional in that it will switch or multiplex one or more signals into a single stream and that it will demultiplex or switch signals out of a combination stream.

Since each channel has a unique wavelength, phase and modulation frequency correlation, it can be identified by a unique address that references its wavelength, phase and frequency. For M wavelengths, N phases, and O modulation frequencies each channel may be particularly identified by a channel identity in which the wavelength is assigned a

number of from 1 to M, each phase is assigned a number of from 1 to N and each modulation frequency is assigned a number from 1 to O. The channel identity for each channel may be referred to as $\lambda_m\Phi_n f_o$, where "m" is the wavelength number, "n" is the phase number and "O" is the frequency number. This channel identity is selected for convenience and clarity in description only and is not in any way intended to limit the invention.

FIGS. 11 and 12 illustrate the exchange of data between two network nodes as represented by optical network processors ONP#1 and ONP#50. Initially, ONP#1 request a channel allocation from system control unit 1360. System control unit 1360 makes the selection of an idle channel and as a result allocates a channel identified as $\lambda_2\phi_8F_4$ for transmission of data from ONP#1 to ONP#50. As shown in FIG. 11, ONP#1 inserts data, D_{TX} into the designated channel. ONP#50 receives the modulated signal and extracts the data D_{RX} . Upon completion of the data transmission to ONP#50, system control unit 1360 returns the channel assignment of channel $\lambda_2\phi_8F_4$ to the pool of unassigned channels for reassignment. Later, the node at which ONP#50 is located requests a channel assignment from system control unit 1360. System control unit 1360 assigns a channel from the pool of available idle channels. In this instance channel $\lambda_4\phi_3F_6$ is assigned. ONP#50 transmits and ONP#1 receives data in the assigned channel. Upon completion of the data transmission, the channel is reassigned by system control unit 1360 to the pool of idle channels.

As shown in FIG. 13, each network node includes an optical network processor ONP that includes a modulator and a demodulator as described above. Each ONP is coupled to the laser reference source 1362 via the laser reference network 1370 as shown in FIG. 1. Each ONP is coupled to the optical fiber network 1101 via an optical add/drop OAD and an optical amplifier EDFA.

OPTICAL NETWORK PROCESSOR

FIGS. 14 and 15 depict a transmitter portion and a receiver portion of an optical network processor particularly well adapted for use with the above-described first embodiment of the invention. FIGS. 16 and 17 depict a transmitter portion and a receiver portion of an optical network processor particularly well adapted for use with the above-described second embodiment of the invention.

Each optical network processor includes a transmit function and a receive function. The receive function decodes data from a systems communications channel assigned for communications to a node coupled to the optical network processor to control the associated wavelength multiplex/switch, phase multiplex/switch and frequency multiplex/switch. The transmit function converts data from an associated node to an assigned system communications channel by controlling the associated wavelength multiplex/switch; phase multiplex/switch and frequency multiplex/switch.

Turning to FIG. 14, a transmitter portion of an optical network processor for use in a first embodiment of the invention is shown. Transmitter portion 1400 of an optical network processor includes one or more processors or micro controllers 1401 that provides program control of operation of the optical network processor. For clarity only one processor is shown for each optical network processor, but more than one processor may be used. Transmitter portion 1400 is coupled to laser reference network 1370 and receives signals from the multiple wavelength signals from laser reference source 1360. A polarization controller 1403 under control of micro controller 1401 selects polarization

of the received laser signals. The output of polarization controller **1403** is coupled to tunable filter **1407**. In an alternate embodiment of the invention, a depolarizer replaces polarization controller **1403**. Micro controller **1401** receives channel allocation information and utilizes the channels allocation information to select a wavelength and frequency for its associated node to transmit data. Micro controller **1401** via wavelength tuning module **1405** operates tunable filter **1407**. Wavelength tuning module **1405** selects a wavelength in response to micro controller **1401** providing a wavelength select signal. Tunable filter **1407** is tuned to the selected wavelength. Tunable filter **1407** thereby selects the wavelength optical signal for transmitting data under control of micro controller **1401**. The output of tunable filter **1407** is coupled to a Mach-Zehnder interferometer **1413**. Interferometer **1413** includes two legs coupled at the input to a coupler **1409** and at the output by coupler **1419**. A first leg includes dc bias module **1412** and a phase modulator **1416**. A second leg includes dc bias module **1414** and a phase modulator **1418**. Microcontroller **1401** provides quadrature control of interferometer **1413** via bias control module **1411**. Quadrature control ensures stable linear operation of the interferometer **1413**. Frequency selection is provided via microcontroller **1401** controlling voltage-controlled oscillator **1415** that in turn provides a selected modulation frequency to mixer/driver module **1417**. Mixer/driver module **1417** mixes the modulation frequency output of voltage controlled oscillator **1415** with Transmit data D_{TX} . The outputs of interferometer **1413** are provided to tunable filter **1421** which is tuned by wavelength tuning module **1405** to the wavelength selected by micro controller **1401**. The output of tunable filter **1421** is coupled to network **1101**. In addition, coupler **1419** has an output coupled to photo detector **1423**. The output of photo detector **1423** is coupled to micro controller **1401**.

FIG. **15** depicts optical network processor receive portion **1500**. Receive portion **1500** of an optical network processor includes a processor or micro controller **1501** that provides program control of operation of the optical network processor. Receive portion **1500** is coupled to network **1101** and receives signals from another network node. Micro controller **1501** receives channel assignment information from SCU **1360** and utilizes the channel assignment to select the wavelength and frequency of a channel carrying data for its associated node. A polarization controller **1503** under control of micro controller **1501** selects polarization of the received laser signals. In an alternate embodiment, a depolarizer replaces polarization controller **1503**. The output of polarization controller **1503** is coupled to tunable filter **1507**. Micro controller **1501** via wavelength tuning module **1505** operates tunable filter **1507**. Wavelength tuning module **1505** selects a wavelength in response to micro controller **1501** providing a wavelength select signal. Tunable filter **1507** selects the wavelength of a receive channel under control of micro controller **1501**. A coupler **1509** couples the output of tunable filter **1507** to a Mach-Zehnder Interferometer **1513**. Interferometer **1513** includes two legs. A first leg includes dc bias module **1512** and a phase modulator **1516**. A second leg includes dc bias module **1514** and a phase modulator **1518**. Interferometer **1513** is not used as an interferometer in the receiver. Only the dc bias modules **1512** and **1514** are used in the receive function. Phase modulators **1516**, **1518** are left unused in this receiver implementation. Micro controller **1501** provides quadrature control via bias control module **1511**. Frequency selection is provided via micro controller **1501** controlling voltage-controlled oscillator **1515** that in turn provides a selected

frequency to mixer/driver module **1517**. The outputs of interferometer **1513** are applied to coupler **1519**. The output of coupler **1519** is in turn applied to tunable filter **1521** which is controlled by micro controller **1501** via wavelength tuning module **1505**. The wavelength-selected output of tunable filter **1521** is in turn applied to detector **1523**. Detector **1523** provides a quadrature dc output, which is provided to micro controller **1501** for use in controlling bias control circuit **1511**. An RF output of detector **1523** is provided to amplifier **1525**. Output of amplifier **1525** is coupled to a second input of mixer/driver **1517**. An output of mixer/driver **1517** is applied to low pass filter **1529**. The output of low pass filter **1529** provides data output signals D_{RX} that are provided to an network node such as user **1331**.

As can easily be seen from a comparison of FIGS. **14** and **15**, the design of the optical network processor receive portion and transmit portion share similar basic design components in the implementations shown. The transmit portion and receive portions in one embodiment are implemented on two separate chips for full duplex operation. In another embodiment of the invention, a bi-directional, half-duplex design combines both transmit and receive portions in a single integrated optic chip using reflective design. Advantages of the second embodiment are that the length of the integrated optic chip is shortened by $\frac{1}{2}$; cost is reduced; and transmit and receive portions are combined into one design. In addition, performance of the wavelength filter is greatly enhanced for double pass operation. Sidelobe suppression of 15 dB for one pass through the filter increases to 30 dB with double pass operation. Still further, the drive voltage of the modulator is reduced 50%. A further significant advantage is that integration onto a single chip allows creation of a large sized phase detector.

FIG. **16** depicts a transceiver **1600** in which a single integrated optic chip **1670** is utilized advantageously. Transceiver **1600** is coupled to network **1101** and laser reference ring **1370**. A circulator **1604** and an isolator interposed in the reference laser ring connect transceiver **1600** to both. Circulator **1604** is coupled to integrated optic chip **1603** via a polarization controller or scrambler **1603**. Integrated optic chip **1670** includes a TM polarizer **1651** coupled to a tunable filter **1652**. Micro controller **1601** receives transmit and receive channel assignment information from system control unit **1360** and utilizes the channel assignment information to select wavelength and frequency for transmit or receive functions. Micro controller **1601** via a wavelength-tuning module **1605** controls tunable filter **1652**. A TE polarizer **1653** follows tunable filter **1652** to remove unwanted signals. A 2×2 coupler **1654** is disposed between TE polarizer **1654** and optical bias modulator **1656**. Optical bias modulators **1612**, **1614** are followed by phase modulators **1616**, **1618**. Reflection mirrors **1662**, **1660** are provided on the end of integrated optic chip **1670**. The operation of the various circuit elements shown in FIG. **16** is substantially identical to the operation of the elements in FIG. **14** for receive operation and to the elements in FIG. **15** for receive operation. There is a one to one correspondence to the elements of FIGS. **14**, **15**, and **16** and the operation is identical.

FIG. **17** depicts a transmitter portion **1700** of an optical network processor for use in the above described second embodiment of the invention. Transmitter portion **1700** includes a processor or micro controller **1701** that provides program control of operation of transmitter portion **1700**. Micro controller **1701** receives channel assignment information from system control unit **1360** and utilizes that information to select wavelength, phase and frequency of assigned channels. Transmitter portion **1700** is coupled to

laser reference network **1370** and receives multiple wavelength signals from laser reference source **1360**. A polarization controller **1703** under control of micro controller **1701** selects polarization of the reference laser signals. The output of polarization controller **1703** is coupled to tunable filter **1707**. Micro controller **1701** via wavelength tuning module **1705** controls tunable filter **1707**. Wavelength tuning module **1705** selects a wavelength in response to micro controller **1701** providing a wavelength select signal. Tunable filter **1707** selects the wavelength optical signal for transmitting data under control of micro controller **1701**. A coupler **1709** couples the output of tunable filter **1707** to phase selector for selecting one out of “N” phases. The phase selector includes a 1×n switch **1771** that is controlled by micro controller **1701**. Each of the N outputs of switch **1771** is coupled to a corresponding phase modulator **1775**. Frequency selection is provided by micro controller **1701** controlling a voltage controlled oscillator **1715**. The selected frequency output of voltage controlled oscillator **1715** is combined with data to be transmitted D_{TX} by mixer/driver **1717**. The data D_{TX} to be transmitted is received from a user node **1331**. A filter/switch module **1770** under control of micro controller **1701** provides the output of mixer/driver **1717** to the N phase modulators **1775**. Each phase modulator **1775** is coupled to a phase delay module **1777**. The outputs of the phase delay modules are the N phases Φ_1 through Φ_N . Switch **1779** under control of micro controller **1701** selects the output phase. The output of switch **1779** and the wavelength-selected reference are combined in coupler **119** and filtered by tunable wavelength filter **1721**. Micro controller **1701** via wavelength tuning module **1705** controls tunable filter **1721**. The output of filter **1721** is the wavelength/frequency/phase selected optical signal modulated with transmit data and is coupled to optical network **1101**. A portion of the output is coupled to a detector **1723** that provides a dc feedback signal to micro controller **1701**.

FIG. **18** depicts optical network processor receive portion **1800** for the above described second embodiment. Receive portion **1800** includes a processor or micro controller **1801** that provides program controlled operation of optical network processor receive portion. In addition, micro controller **1801** receives channel assignment information from system control unit **1360** and utilizes that information to select channel wavelength, phase and frequency to select a desired channel for recovery of received data. The received data is provided to a node **1331**. Micro controller **1801** generates wavelength select, phase select and frequency select signals. The frequency select signals control a voltage-controlled oscillator **1815** to provide a frequency selected signal to a mixer/driver circuit **1817**. The output of mixer/driver **1817** is filtered by filter **1840** to provide output data signals D_{RX} . Receive portion **1800** is coupled to network **1101** and receives optical signals carrying data D_{TX} from another node coupled to network **1101**. A depolarizer **1803** depolarizes the optical signals received via network **1101**. As those skilled in the art will appreciate, depolarizer **1803** may be replaced with a polarization controller controlled by micro controller **1801**. The output of depolarizer **1803** is coupled to tunable filter **1807**. Micro controller **1801** via wavelength tuning module **1805** operates tunable filter **1807**. Wavelength tuning module **1805** selects a wavelength in response to micro controller **1801** and tunes filter **1807** to the selected wavelength. Phase selection is accomplished by micro controller **1801** providing phase select signals to control switches **1871** and **1879**. Switches **1871** and **1879** are used to select one phase delay path from a group of “n” phase delay, where “n” is the number of selectable phases. Each phase delay path

includes a phase modulator **1875** and a phase delay circuit **1877**. Micro controller **1871** via bias control **1811** controls phase modulators **1875**. The output of the selected phase path is coupled via switch **1879** to coupler **1819**. A phase reference signal is coupled from signals received from network **1101** from coupler **1871** to coupler **1919** via optical connection **1873**. Coupler **1819** combines the phase reference signal from connection **1873** with the output of phase switch **1879**. The combined output is applied to wavelength filter **1821** that is tuned to the wavelength selected by micro controller **1801**. The output of tunable filter **1821** is coupled to detector **1823** that separates an RF signal and a dc servo feedback signal. The RF signal is applied to mixer/driver **1817** via pre amplifier **1880**. All of the components shown within box **1881** may be fabricated on a single integrated optic chip using reflective design.

A comparison of transmit portion **1700** of FIG. **17** and receive portion **1800** of FIG. **18** shows that much of the functionality of the transmit portion and receive portion is similar. FIG. **19** is a block diagram of a transceiver **1900** in which economies are achieved by utilizing the commonality of receive and transmit portions, **1800**, **1700**. Transceiver **1900** receives data D_{TX} from a node **1331** and provides data D_{RX} to a node **1331**. Transceiver **1900** is coupled to optical network **1101** and reference network **1370** by circulator **1940**. A micro controller **1901** provides program controlled operation of transmit and receive functions. In addition, micro controller **1901** provides wavelength, phase and frequency selection to select a desired channel for recovery of received data and providing the received data to a node **1331** and for receipt of transmit data from node **1331** for transmission over network **1101**. Micro controller **1901** generates wavelength select, phase select and frequency select signals for transmit and receive. The frequency select signals control a voltage-controlled oscillator **1915a** to provide a frequency selected signal to a mixer/driver circuit **1917a**. The output of mixer/driver circuit **1917a** is filtered by low pass filter **1940** to provide output data signals D_{RX} .

Frequency select signals from micro controller **1901** are used for transmission of data from a node **1331** over network **1101**. Frequency select signals control voltage controlled oscillator **1915** to select a desired transmit channel frequency. A mixer/driver **1917** combines the output of voltage-controlled oscillator **1915** and D_{TX} . The modulated frequency signals are applied to filter switch **1970**. Micro controller **1901** also controls phase and wavelength selections. Phase selection is provided by micro controller **1910** providing phase selection signals to a phase control module **1972**, bias control signals to bias control circuit **1911** and filter control signals to filter switch **1970**. For transmit data, filter switch **1970** is active but bias control **1911** is not. Integrated optical chip assembly **1981** provides wavelength selection and phase multiplex selections. Integrated optical chip assembly **1981** utilizes reflective multiplex technology. Double pass operation of the integrated optical chip assembly **1981** greatly enhances performance of the wavelength filter operation. Sidelobe suppression is increased, for example, from 15 dB to 30 dB. Input signals received from network **1101** via circulator **1940** are applied to depolarizer **1903**. Outputs of depolarizer **1903** are applied to a TE polarizer **1982**. Polarizer **1982** is coupled to tunable wavelength filter **1983**. Tunable filter **1983** is coupled to TM polarizer **1984**. TM polarizer **1984** is coupled to a phase selection circuit including 2×2 coupler **1909**, a 1×4 optical switch **1985**, bias modulator array **1986**, phase modulator array **1987** and phase delay and recovery reflection mirror **1988**. In the embodiment shown, selection of four phase

channels may be accomplished. The phase selection circuit may be expanded to more phase channels, but for purposes of drawing clarity, only a four phase channel selection structure is shown. For both transmit and receive, micro controller **1901** provides wavelength selection signals to wavelength tuning module **1905**. Wavelength tuning module **1905** controls tunable filter **1983** to select the wavelength channel for transmit and receive.

For transmit functionality, micro controller **1901** controls filter switch **1970** to control the phase modulator array **1987**. For receive functionality, micro controller **1901** controls bias control **1911** to in turn control bias modulator array **1986**. For transmit functionality, filter switch **1970** is used to select a phase and couple the output of mixer/driver **1917** via coupler **1909** through polarizer **1983**, wavelength filter **1983**, polarizer **1982** to depolarizer **1903** and to network **1101** via circulator **1940**. For receive functionality, optical signals received from network **1101** are coupled via circulator **1940** through depolarizer **1903** to polarizer **1982**, tunable filter **1983**, polarizer **1984** to the phase selector. Bias control module **1911** under control of micro controller **1901** sets the bias to a quadrature point to stabilize the receive phase channel. The output of the phase selector is coupled to detector **1923**. Detector **1923** provides an RF output to preamplifier **1980**. Preamplifier **1980** is coupled to mixer/driver **1917**, and its output is filtered by lowpass filter **1940** to provide output data to node **1331**. The invention has been described in conjunction with specific embodiments.

REFERENCE LASER

Multiple lasers may be assembled together to provide a laser reference source useable in the optical networks and optical communication system of the invention. Various laser sources may be employed; however, each laser source must have specific characteristics. In particular, multiple wavelength lasers that have high launch power are desirable. In particular, it is desirable that the reference provides optical signals for each wavelength channel at levels greater than 20 mw and each laser source should desirably meet this requirement. It is also desirable that nonlinear effects such as self phase modulation (SPM), stimulated Brillouin scattering (SBS) and four wave mixing be minimized. A short coherence length of less than 5 mm should be provided for phase multiplex/switching operation. To ensure proper wavelength multiplexing, wavelength stability is to be controlled within 20 picometers. It is desirable that spurious spectral components be minimized between wavelength channels. In particular advantageous embodiments of the invention, 16 to 32 wavelengths are provided by the reference laser source.

FIG. **20** depicts one embodiment of a multiple wavelength reference laser source in which multiple distributed feedback (DFB) lasers are used. A separate DFB laser is used to generate each wavelength λ_1 through λ_M . There are two limitations on DFB lasers that need to be accommodated. First, the output of each DFB laser **2001** typically has a narrow linewidth of less than 50 MHz. This spectral width is too narrow for use in the embodiments of the invention described above. Second, the coherence length of the DFB output is too large for application in the embodiments of the present invention. Phase modulating the output of the DFB laser with an RF signal broadens the spectral width of the output and further can reduce the coherence length. In other words, for optimum performance, the laser signals can not be too coherent and can not have too narrow a line width in the above-described embodiments. A phase modulator **2003** is coupled to each DFB laser **2001**. Modulation is with an RF signal having multiple frequency components that are

selected in the RF range of 0.01 to 10.0 GHz. Modulation with a multiple component RF signal produces a laser signal having a broad line width output of greater than 20 GHz. In addition, the phase modulation reduces the coherence length. Each modulated laser output is filtered to remove sidelobes by utilizing fiber gratings **2005** to shape the modulated laser output spectrum. A DWDM multiplexer **2007** is utilized to combine the outputs of each of the DFB lasers. Amplifier **2009** amplifies the resulting multiple wavelength laser output. Amplifier **2009** is an EDFA.

FIG. **21** illustrates a modification to the multiple wavelength laser source of FIG. **20**. In the design of FIG. **21**, the phase modulated laser signals at the different wavelengths are each amplified by EDFA amplifiers **2101** prior to being shaped by fiber gratings **2005**. By amplifying each wavelength component prior to combining the wavelength components, it is possible to achieve a combined output in which the components are more uniform and a higher output level may be achieved.

FIG. **22** illustrates a third embodiment of a multiple wavelength laser source that may be used in accordance with the invention. Separate Erbium Doped Fiber Lasers (EDFL) **2201** are used as sources. Wavelength control technology is used to control EDFL emission wavelength. Each EDFL provides a single wavelength output. Fiber gratings **2203** are used to provide output spectrum shaping and coherence function. EDFAs **2205** amplify each output and a DWDM multiplexer **2207** is used to combine the outputs to produce a multiple wavelength laser output. By using EDFLs, phase modulation is not necessary because the EDFLs have a broader line width and the coherence length is not too short. Through selection of appropriate fiber gratings the desired spectral response is achieved.

An alternative EDFL based design for the multiple wavelength laser reference is illustrated in FIG. **23**. In the reference source of FIG. **23**, rather than separately amplify each wavelength, a single EDFA amplifier **2301** is utilized to amplify the combined output. A filter **2303** is used to shape the amplified multiplexed output.

FIGS. **24** and **25** illustrate EDFLs suitable for application to the laser reference sources depicted in FIGS. **22** and **23**. In the EDFLs of both FIGS. **23** and **24**, an erbium doped fiber **2401** is pumped from a laser pump source **2407**. The fiber **2401** is coupled at either end to a fiber grating. In the embodiment of FIG. **24**, both gratings **2403** and **2405** are reflecting narrowband gratings at the same wavelength. In the embodiment of FIG. **25** the narrow band fiber grating **2403** is replaced with a broadband reflecting grating **2501** or alternatively, a mirror. WDM **2409** couples the pump source **2407** output to fiber grating **2405**. An isolator **2411** is used at the output of the EDFL.

FIG. **26** depicts an optical add/drop **1307** that is utilized to particular advantage in the embodiments of the invention described above. In addition, FIG. **26** also shows further details of a typical EDFA construction, such as EDFA **1313**. The design shown is for a reciprocal optical add/drop inserted into optical link network **1101**. Optical add/drop **1307** utilizes three couplers **2603**, **2605**, **2607** and two isolators **2609**, **2611** all of which are known in the art and are commercially available. Optical add/drop **1307** includes a first bi-directional port **P1**, a second bidirectional port **P2** and a third bidirectional port **P3**. Bi-directional ports **P1** and **P2** are connected to optical link network **1101** and bi-directional port **P3** is coupled to an optical network, processor or coupler via bidirectional amplifier **1313**. Drop signals from optical link network **1101** are coupled from

coupler **2605** to coupler **2607** and to isolator **2611**. Isolator **2611** couples the optical signals to amplifier **1313**. Add signals from amplifier **1313** are supplied to isolator **2609**. From isolator **2609**, the transmit signals are supplied to coupler **2607** which in turn is connected to coupler **2603** and from coupler **2603** to optical link network **1101**. A through path couples the couplers **2603** and **2605**. Coupler **2607** is utilized to permit the bidirectional drop and add of optical signals. Each of couplers **2603** and **2605** are chosen in the illustrative embodiment such that 5% of the optical signal is coupled to an add/ drop path and 95% of the optical signal is passed on the through path of the coupler. Coupler **2607** is chosen such that 50% of the signal is coupled from one path to the other. Isolators **2609**, **2611** are used to provide directionality for the add and drop paths to the ONP or coupler. Amplifier **1331** comprises an EDFA **1313a** for amplify output signals and an EDFA **1313b** for amplifying input signals. A circulator **1313c** having three ports **c1**, **c2**, **c3** is used to couple both EDFAs **1313a**, **1313b** to the optical network processor or coupler. Drop signals from PI are extracted via coupler **2603** and are coupled via coupler **2607** to isolator **2611**, amplified by EDFA **1313b**, applied to circulator **1313c** at its port **c2** and extracted from circulator at port **c3** which is connected to an optical network processor at port **P3**.

Optical signals at port **P2** are coupled by coupler **2605** to coupler **2607** and processed as described above. Optical signals received at port **P3** are provided by circulator **1313c** to EDFA **1313** and applied to isolator **2609**. The output in this add path is applied to coupler **2607** provides 50% of the add signal to each of couplers **2603**, **2605**. Because the same level of signals are achieved in transmission of signals from ports **P1** to **P2** as are achieved from ports **P2** to **P1** and between any combination of pairs of the three ports **P1**, **P2**, **P3**, the optical add/drop in this embodiment may be characterized as a reciprocal add/drop.

It will be appreciated by those skilled in the art that various changes and modifications may be made to the various embodiments without departing from the spirit or scope of the invention. It is intended that those various changes and modifications be included within the scope of the invention. It is further intended that the invention not be limited to the various embodiments shown and described herein nor limited to those embodiments that would be apparent as of the filing date of this application. It is intended that the invention be limited in scope only by the claims appended hereto.

What is claimed is:

1. A method of operating an optical network coupling a plurality of nodes, comprising:
 - providing a plurality of optical channels, each channel being determined by three variables, a first one of said variables being selected from a plurality of wavelengths, a second one of said variables being selected from a plurality of phases, and a third one of said variables being selected from a plurality of modulation frequencies;
 - providing first status indications for unused channels of said plurality of optical channels; and
 - dynamically allocating unused ones of said plurality of channels in response to requests for channels from said nodes.
2. A method in accordance with claim 1, comprising:
 - receiving a request from a first node of said plurality of nodes for allocation of one of said plurality of channels; and

dynamically allocating one channel of said unused channels as a communications channel between said first node and at least a second node of said plurality of nodes.

3. A method in accordance with claim 2, comprising:
 - changing said first status indication for said one channel when said one channel is allocated as a communications channel.
4. A method in accordance with claim 3, comprising:
 - determining when communication between said first node and said second node on said dynamically allocated one channel is complete; and
 - providing said first status indication for said one channel when said communication is determined to be complete.
5. A method in accordance with claim 1, comprising:
 - dynamically allocating one channel from said unused ones of said plurality of channels in accordance with a predetermined algorithm.
6. A method in accordance with claim 1, comprising:
 - dynamically allocating one channel from said unused ones of said plurality of channels to minimize cross channel interference with used ones of said channels.
7. A method in accordance with claim 1, comprising:
 - dynamically allocating one channel from said unused ones of said plurality of channels to maximize the distance between said one channel and used ones of said channels.
8. A method in accordance with claim 2, comprising:
 - selecting said one channel in accordance with a predetermined algorithm.
9. A method in accordance with claim 2, comprising:
 - selecting said one channel to minimize cross channel interference between said one channel and used ones of said channels.
10. A method in accordance with claim 2, comprising:
 - selecting said one channel to maximize the distance between said one channel and used ones of said channels.
11. A method in accordance with claim 3, comprising:
 - selecting said one channel in accordance with a predetermined algorithm.
12. A method in accordance with claim 3, comprising:
 - selecting said one channel to minimize interference between said one channel and used ones of said channels.
13. A method in accordance with claim 3, comprising:
 - selecting said one channel to maximize the distance between said one channel and used ones of said channels.
14. A method in accordance with claim 4, comprising:
 - selecting said one channel for allocation in accordance with a predetermined algorithm.
15. A method in accordance with claim 4, comprising:
 - selecting said one channel to minimize interference between said one channel and used ones of said channels.
16. A method in accordance with claim 4, comprising:
 - selecting one channel in accordance with a predetermined algorithm.
17. A method of operating a fiber optic network coupling a plurality of nodes comprising:
 - providing a plurality of optical channels, each channel being determined by three variables, a first one of said

21

variables being selected from a plurality of wavelengths, a second one of said variables being selected from a plurality of phases, a third one of said variables being selected from a plurality of modulation frequencies;

5 providing status indications for unused channels of said plurality of optical channels;

dynamically allocating unused channels of said plurality of optical channels in response to requests for channels from said nodes; and

10 performing said dynamic allocation in accordance with a predetermined channel selection algorithm for selecting channels based upon a distance to used channels.

18. A method in accordance with claim 17, comprising:

15 receiving a request from a first node of said plurality of nodes for one of said plurality of channels; and

dynamically allocating one channel of said unused ones of said plurality of channels as a communications channel between said first node and at least a second node of said plurality of nodes in accordance with said algorithm.

19. A method in accordance with claim 18, comprising:

20 changing said status indication for said one channel during said allocating step.

20. A method in accordance with claim 19, comprising:

25 terminating communication between said first and second nodes; and

changing said status indication of said one channel to unused.

21. A method in accordance with claim 17, comprising:

selecting said unused channels to maximize the distance between a selected one channel and used ones of said plurality of channels.

22. A method of operating an optical network coupling a plurality of nodes, comprising:

30 providing a plurality of optical channels, each channel being determined by three variables, a first one of said variables being selected from a plurality of wavelengths, a second one of said variables being selected from a plurality of phases, and a third one of said variables being selected from a plurality of modulation frequencies; and

35 determining usage status of unused channels of said plurality of optical channels;

dynamically allocating unused ones of said plurality of channels as communication channels in response to requests for channels from said nodes.

23. A method in accordance with claim 22, comprising:

40 receiving a request from a first node of said plurality of nodes for one of said plurality of channels; and

dynamically allocating a selected one channel of said unused ones of said plurality of channels as a communications channel between said first node and at least a second node of said plurality of nodes.

24. A method in accordance with claim 23, comprising:

45 changing said usage status of said selected one channel from a first indication to a second indication when said one channel is allocated as a communications channel.

25. A method in accordance with claim 24, comprising:

50 changing said usage status of said selected one channel back to said first identification after communication between said first node and said at least a second node terminates.

26. A method of operating a fiber optic network coupling a plurality of nodes, comprising:

55

22

providing a plurality of optical channels in said fiber optic network, each channel being determined by three variables, a first one of said variables being selected from a plurality of wavelengths, a second one of said variables being selected from a plurality of phases, a third one of said variables being selected from a plurality of modulation frequencies;

5 providing all of said channels as potential communication channels between all of said nodes;

determining usage status of unused channels of said plurality of optical channels;

selecting an unused one of said plurality of optical channels in dynamic response to a requests for a channel for communication from a first one of said nodes to at least a second one of said nodes, and

10 performing said selecting step in accordance with a predetermined channel selection algorithm for selecting channels based upon distance to used channels.

27. A method in accordance with claim 26, comprising:

15 changing said usage status of said selected one channel from unused when said one channel is allocated as a communications channel.

28. A method in accordance with claim 27, comprising:

20 changing said usage status of said one selected channel back to unused when communication between said first node and said at least a second node terminates.

29. An optical communications system, comprising:

25 an optical network operable to interconnect a plurality of nodes;

30 a reference laser source utilized to define a plurality of optical channels, each channel being determined by three variables, a first one of said variables being selected from a plurality of wavelengths, a second one of said variables being selected from a plurality of phases, and a third one of said variables being selected from a plurality of modulation frequencies; and

35 a processor unit operable to receive requests for channel assignment from said nodes, said processor unit being further operable to identify unused channels of said plurality of optical channels, and dynamically allocating unused ones of said plurality of channels in response to said requests.

30. An optical communications system in accordance with claim 29, comprising:

40 said processor unit being further operable to receive a request from a first node of said plurality of nodes for allocation of one of said plurality of channels; and

said processor unit dynamically allocating one channel of said unused ones of said plurality of channels as a communications channel between said first node and at least a second node of said plurality of nodes.

31. An optical communications system in accordance with claim 30, comprising:

45 a memory containing activity information for each channel of said plurality of channels, said activity information being a first state to identify a corresponding channel as being currently allocated and being a second state to identify a current channel as being not currently allocated;

50 said processor unit changing said activity information of said one channel to said first state when said one channel is allocated as a communications channel.

32. An optical communications system in accordance with claim 31, comprising:

55 said processor unit changing said activity information of said one channel to said second state channel when

communication from said first node and said at least a second node terminates.

33. An optical communications system in accordance with claim 32, comprising:

said processor unit allocating said one channel from said unused ones of said plurality of channels in accordance with a predetermined algorithm.

34. An optical communications system in accordance with claim 32, comprising:

said processor unit selecting said one channel to minimize cross channel interference with used ones of said channels.

35. An optical communications system in accordance with claim 32, comprising:

said processor unit selecting said one channel to maximize the distance between said one channel and used ones of said channels.

36. An optical communications system in accordance with claim 30, comprising:

said processor unit selecting said one channel in accordance with a predetermined algorithm.

37. An optical communications system in accordance with claim 30, comprising:

said processor unit selecting said one channel to minimize cross channel interference between said one channel and used ones of said channels.

38. An optical communications system in accordance with claim 30, comprising:

said processor unit selecting said one channel to maximize the distance between said one channel and used ones of said channels.

39. An optical network, comprising:

a plurality of nodes;

a plurality of optical communications channels, each channel being determined by three variables, a first one of said variables being selected from a plurality of wavelengths, a second one of said variables being selected from a plurality of phases, a third one of said variables being selected from a plurality of modulation frequencies;

processor apparatus utilized to allocate channels of said plurality of communications channels;

memory for identifying channel allocation status; and

said processor utilizing said memory to dynamically allocating unused ones of said plurality of optical channels in response to requests for channels from said nodes.

40. An optical network in accordance with claim 39, comprising:

said processor receiving a request from a first node of said plurality of nodes for one of said plurality of channels; and

said processor being responsive to said request by dynamically allocating one channel of said unused ones of said plurality of channels as a communications channel between said first node and at least a second node of said plurality of nodes.

41. An optical network in accordance with claim 40, comprising:

said processor changing channel allocation status of said one channel from an unused status to an in-use status when said one channel is allocated as a communications channel.

42. An optical network in accordance with claim 41, comprising:

said processor changing said channel allocation status of said one channel back to unused when communication from said first node to said at least a second node terminates.

43. An optical network in accordance with claim 40, comprising:

said processor allocating said one channel in accordance with a predetermined algorithm.

44. An optical network in accordance with claim 40, comprising:

said processor selecting said one channel to maximize the distance between said one channel and used ones of said plurality of channels.

45. An optical network coupling a plurality of nodes, comprising:

a plurality of optical channels, each channel being determined by three variables, a first one of said variables being selected from a plurality of wavelengths, a second one of said variables being selected from a plurality of phases, and a third one of said variables being selected from a plurality of modulation frequencies; and

a processor unit, said processor unit being operated to identify unused channels of said plurality of optical channels, and said processor unit dynamically allocating unused ones of said plurality of channels as communication channels in response to requests for channels from said nodes.

46. A method of operating an optical network coupling a plurality of nodes, comprising:

providing a plurality of optical channels, each channel being determined by a wavelength selected from a plurality of wavelengths, a phase selected from a plurality of phases, and a modulation frequency selected from a plurality of modulation frequencies;

identifying a first usage status for unused channels of said plurality of optical channels; and

dynamically allocating unused ones of said plurality of channels in response to requests for channels from said nodes.

47. A method in accordance with claim 46, comprising:

receiving a request from a first node of said plurality of nodes for allocation of one of said plurality of channels; and

dynamically allocating one channel of said unused ones of said plurality of channels as a communications channel between said first node and at least a second node of said plurality of nodes.

48. A method in accordance with claim 47, comprising:

changing said first usage status to a second usage status of said one channel from said unused ones of said plurality of channels when said one channel is allocated as a communications channel.

49. A method in accordance with claim 48, comprising:

changing said second usage status to said first usage status for said one channel when communication between said first node and said at least a second node terminates.

50. A method in accordance with claim 46, comprising:

selecting said one channel from said unused ones of said plurality of channels in accordance with a predetermined algorithm.

51. A method in accordance with claim 46, comprising:

selecting said one channel to minimize cross channel interference with used ones of said channels.

52. A method in accordance with claim 46, comprising:
 selecting said one channel to maximize the distance
 between said one channel and used ones of said chan-
 nels.

53. A method in accordance with claim 47, comprising: 5
 selecting said one channel in accordance with a predeter-
 mined algorithm.

54. A method in accordance with claim 47, comprising:
 selecting said one channel to minimize cross channel
 interference between said one channel and used ones of 10
 said channels.

55. A method in accordance with claim 47, comprising:
 selecting said one channel to maximize the distance
 between said one channel and used ones of said chan- 15
 nels.

56. A method in accordance with claim 48, comprising:
 selecting said one channel in accordance with a predeter-
 mined algorithm.

57. A method in accordance with claim 48, comprising: 20
 selecting said one channel to minimize interference
 between said one channel and used ones of said chan-
 nels.

58. A method in accordance with claim 48, comprising: 25
 selecting said one channel to maximize the distance
 between said one channel and used ones of said chan-
 nels.

59. A method in accordance with claim 49, comprising:
 selecting said one channel for allocation in accordance
 with a predetermined algorithm. 30

60. A method in accordance with claim 49, comprising:
 selecting said one channel to minimize interference
 between said one channel and used ones of said chan- 35
 nels.

61. A method in accordance with claim 49, comprising:
 selecting said one channel to maximize the distance
 between said one channel and used ones of said chan-
 nels.

62. An optical communications system, comprising: 40
 an optical network operable to interconnect a plurality of
 nodes;
 a reference laser source utilized to define a plurality of
 optical channels, each channel being determined by a 45
 wavelength selected from a plurality of wavelengths, a
 phase selected from a plurality of phases, and a modu-
 lation frequency selected from a plurality of modula-
 tion frequencies; and
 a processor unit operable to receive requests for channel 50
 assignment from said nodes, said processor unit being
 further operable to identify unused channels of said
 plurality of optical channels, and dynamically allocat-
 ing unused ones of said plurality of channels in
 response to said requests. 55

63. An optical communications system in accordance with
 claim 62, comprising:

said processor unit being further operable to receive a
 request from a first node of said plurality of nodes for
 allocation of one of said plurality of channels; and
 said processor unit dynamically allocating one channel of
 said unused ones of said plurality of channels as a
 communications channel between said first node and at
 least a second node of said plurality of nodes.

64. An optical communications system in accordance with
 claim 62, comprising:
 a memory containing activity information for each chan-
 nel of said plurality of channels, said activity informa-
 tion being a first state to identify a corresponding
 channel as being currently allocated and being a second
 state to identify a current channel as being not currently
 allocated;
 said processor unit changing said activity information of
 said one channel to said first state when said one
 channel is allocated as a communications channel.

65. An optical communications system in accordance with
 clam 64, comprising:
 said processor unit changing said activity information of
 said one channel to said second state channel when
 communication from said first node and said at least a
 second node terminates.

66. An optical communications system in accordance with
 claim 65, comprising:
 said processor unit allocating said one channel from said
 unused ones of said plurality of channels in accordance
 with a predetermined algorithm. 30

67. An optical communications system in accordance with
 claim 65, comprising:
 said processor unit selecting said one channel to minimize
 cross channel interference with used ones of said
 channels. 35

68. An optical communications system in accordance with
 claim 65, comprising:
 said processor unit selecting said one channel to maxi-
 mize the distance between said one channel and used
 ones of said channels.

69. An optical communications system in accordance with
 claim 62, comprising:
 said processor unit selecting said one channel in accord-
 ance with a predetermined algorithm. 45

70. An optical communications system in accordance with
 claim 62, comprising:
 said processor unit selecting said one channel to minimize
 cross channel interference between said one channel
 and used ones of said channels.

71. An optical communications system in accordance with
 claim 62, comprising:
 said processor unit selecting said one channel to maxi-
 mize the distance between said one channel and used
 ones of said channels. 55

* * * * *